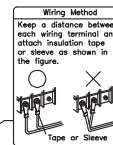
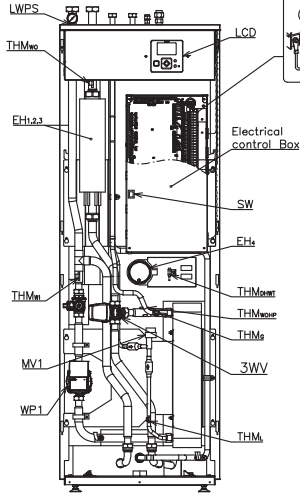


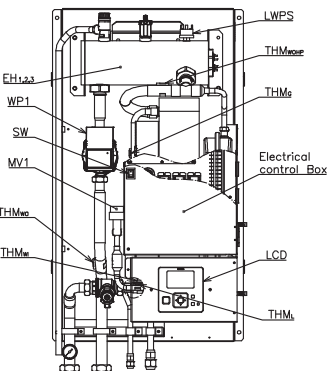
### Mark Table

AR1,2	Contactor heater step	DSW <sub>1</sub>	Additional setting (Unit Type)
AR3	Contactor heater tank	DSW <sub>2</sub>	Capacity Setting
CN30-31	Connector	DSW <sub>3,4,5,6,7</sub>	Additional setting
EF1,2,3	Fuse (E. Heater)	DSW <sub>8</sub>	Terminating Resistance (Setting HLINK)
EF4	Fuse (Heater Tank)	DSW <sub>9</sub>	Terminating Resistance (Setting HLINK RCS)
EF <sub>PCB</sub>	Fuse (PCB)	RSW <sub>1</sub>	Refrigerant address
CE	Connector	RSW <sub>2</sub>	IU address
EH1,2,3	Electrical heater	LED <sub>1-7</sub>	LEDs indication
EH4	Electrical heater (tank)	SEG1-2	Seven segments indication
LCD	User interface LCD (PC-ARFHE)	Y <sub>20C</sub>	Relay for electrical heater
LWPS	Low water pressure switch	Y <sub>21</sub>	Relay for electrical heater
MV1,2	Micro-Computer control exp. valve	Y <sub>20A</sub>	Relay for 3 way valve DHWT
NF	Noise filter	Y <sub>20B</sub>	Relay for 3 way valve SWP (output 1)
PCB	Printed Circuit Board	Y <sub>20B3</sub>	Relay for mixing valve
ITH1,2,3	Thermostat	Y <sub>20B1</sub>	Relay for mixing valve
TB1,2	Terminal Board	Y <sub>22</sub>	Relay for water pump 2
WP1,2,3	Water pumps	Y <sub>1</sub>	Relay for water pump 1
3WV <sub>DHW</sub>	3 Way valve for DHW	Y <sub>2</sub>	Relay for water pump 3 (output 2)
3WV <sub>SWP</sub>	3 Way valve for SWP	Y <sub>3</sub>	Relay for Electrical Heater Tank
3WV <sub>Mix</sub>	3 Way valve for Mixing valve	Y <sub>4</sub>	Relay for output 3 (boiler)
SW	Emergency Switch (DHW) E.Heater	Y <sub>5</sub>	Relay for output 4 (solar)
THMe	Inlet water thermistor	□	Terminals
THM <sub>outHP</sub>	Outlet HP water thermistor	+	Close-end connector
THM <sub>out</sub>	Liquid pipe thermistor	※	Field supplied
THM <sub>out</sub>	Outlet water thermistor	---	Field wiring
THM <sub>in</sub>	Gas pipe thermistor	---	Earth wiring
THM <sub>inDHW</sub>	DHW water thermistor	---	Factory wiring
THM <sub>out2</sub>	Outlet C2 water thermistor	---	
THM <sub>aux1,2,3</sub>	Auxiliar thermistor	---	

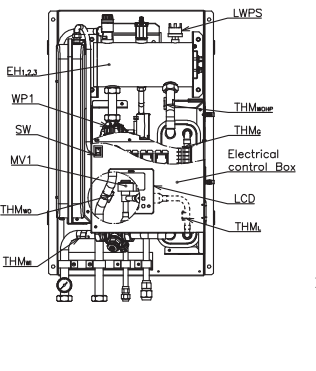
RWD-(2.0-6.0)NRWE(S)-(200/260S)



RWM-(4.0-6.0)NRE



RWM-(2.0-3.0)NRE



RWM-(8.0/10.0)NRE

