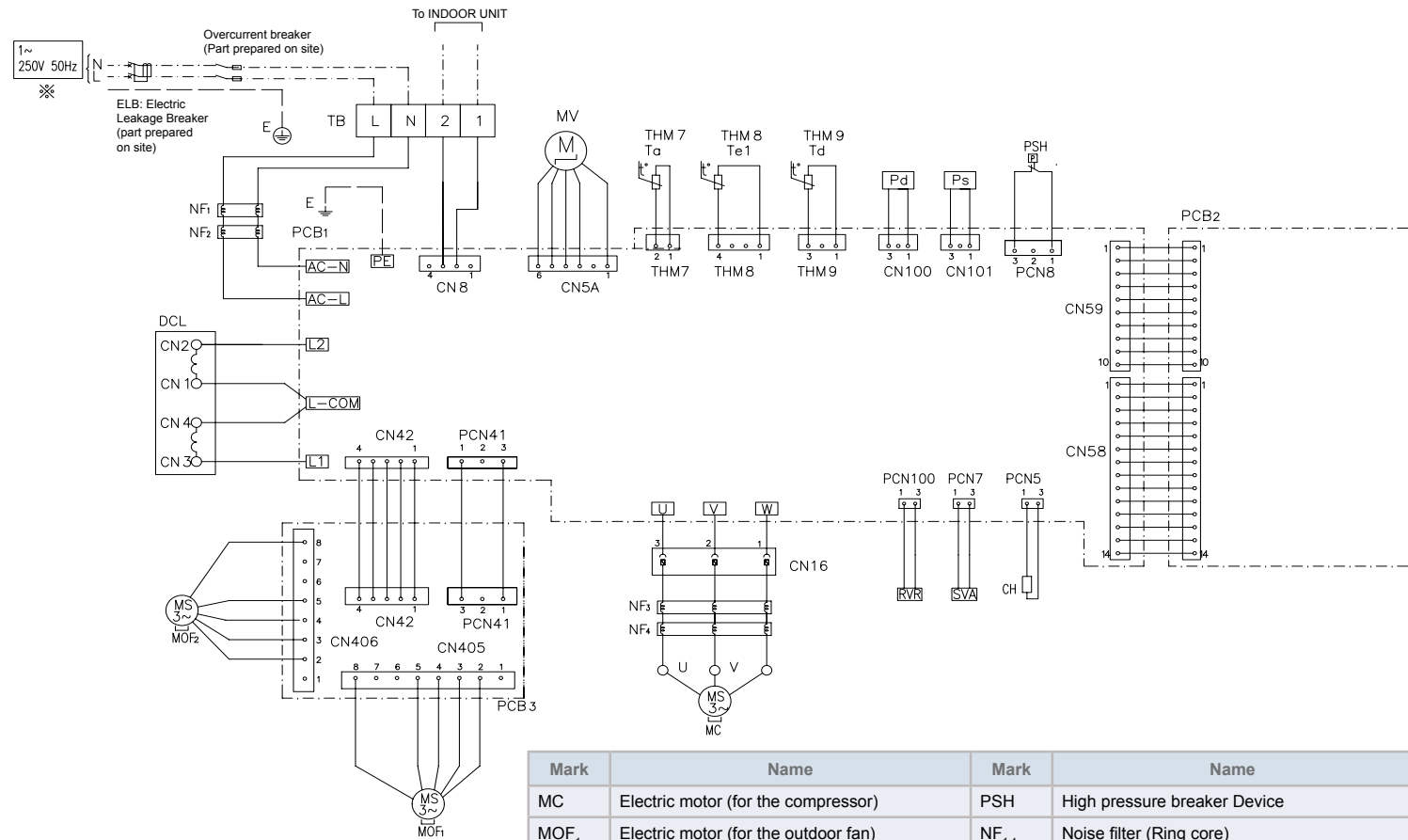


SCHALTPLAN RAS-(4-6)FSVNME



Mark	Name	Mark	Name
MC	Electric motor (for the compressor)	PSH	High pressure breaker Device
MOF ₁	Electric motor (for the outdoor fan)	NF ₁₋₄	Noise filter (Ring core)
MOF ₂	Electric motor (for the outdoor fan)	PCB ₁	Printed Circuit Board for control
CH	Crank-case heater	PCB ₂	Printed Circuit Board for Dip Switch
RVR	Solenoid 4-way valve	PCB ₃	Printed Circuit Board for Fan
SVA	Solenoid valve (for high-low pressure bypass)	DCL	Reactor
MV	Electronic control expansion valve	TB	Terminal board
Pd	Pressure sensor (discharge side)	E	Earth Wiring
Ps	Pressure sensor (suction side)	CN ₁₆	Aerial connectors
THM ₇₋₉	Thermistor		