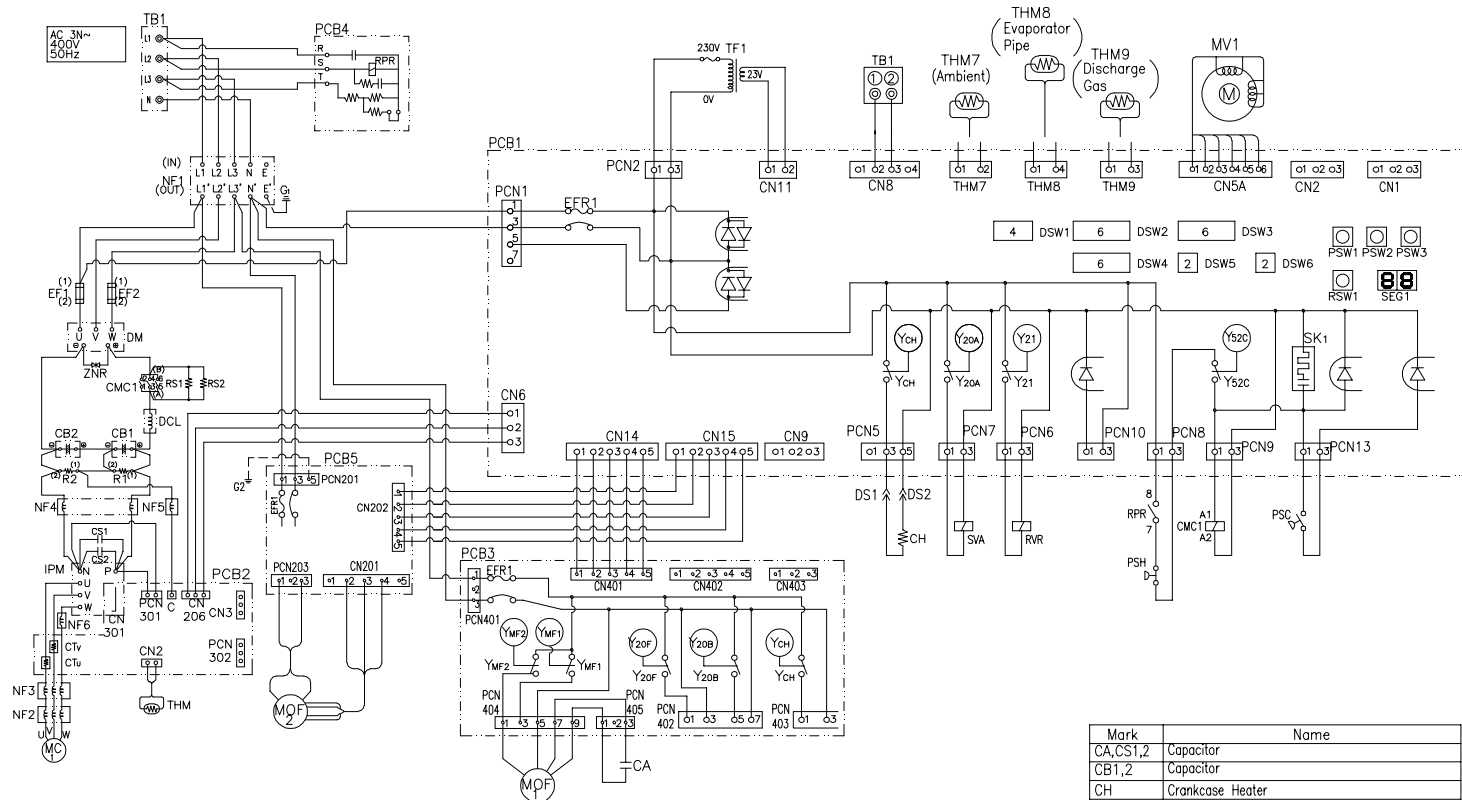
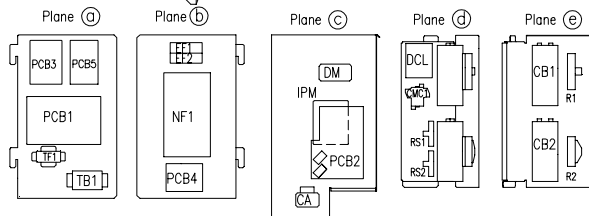
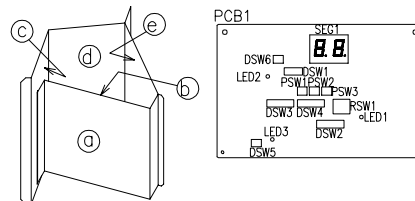
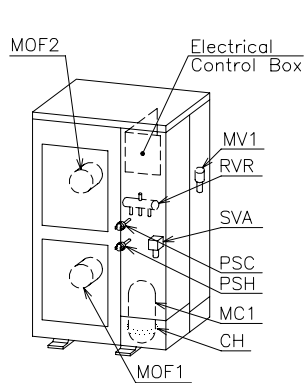


# SCHALTPLAN RAS-(8-10)HRNSE



Electrical Control Box



Mark	Name
CA,CST1,2	Capacitor
CB1,2	Capacitor
CH	Crankcase Heater
CMC1	Contact for Compressor Motor
DCL	Reactor
DM	Diode Module
DS1,2	I.F Connector
DSW1~6	Dip Switch on PCB1
EF1,2	Fuse
IPM	Inverter System Power Module
MC1	Motor for Compressor
MOF1,2	Motor for Outdoor Fan
MV1	Micro-Computer Control Expansion Valve
NF1~6	Noise Filter
PCB1~5	Printed Circuit Board
PSC	Pressure Switch for Control
PSH	High Pressure Switch for Protection
PSW1~3	Push Switch on PCB1
R1,2	Resistor
RST1,2	Resistor for Starting
RVR	Reversing Valve Relay
SVA	Solenoid Valve
TB1	Terminal Board
TF1	Transformer
THM7~9	Thermistor
ZNR	Surge Absorber