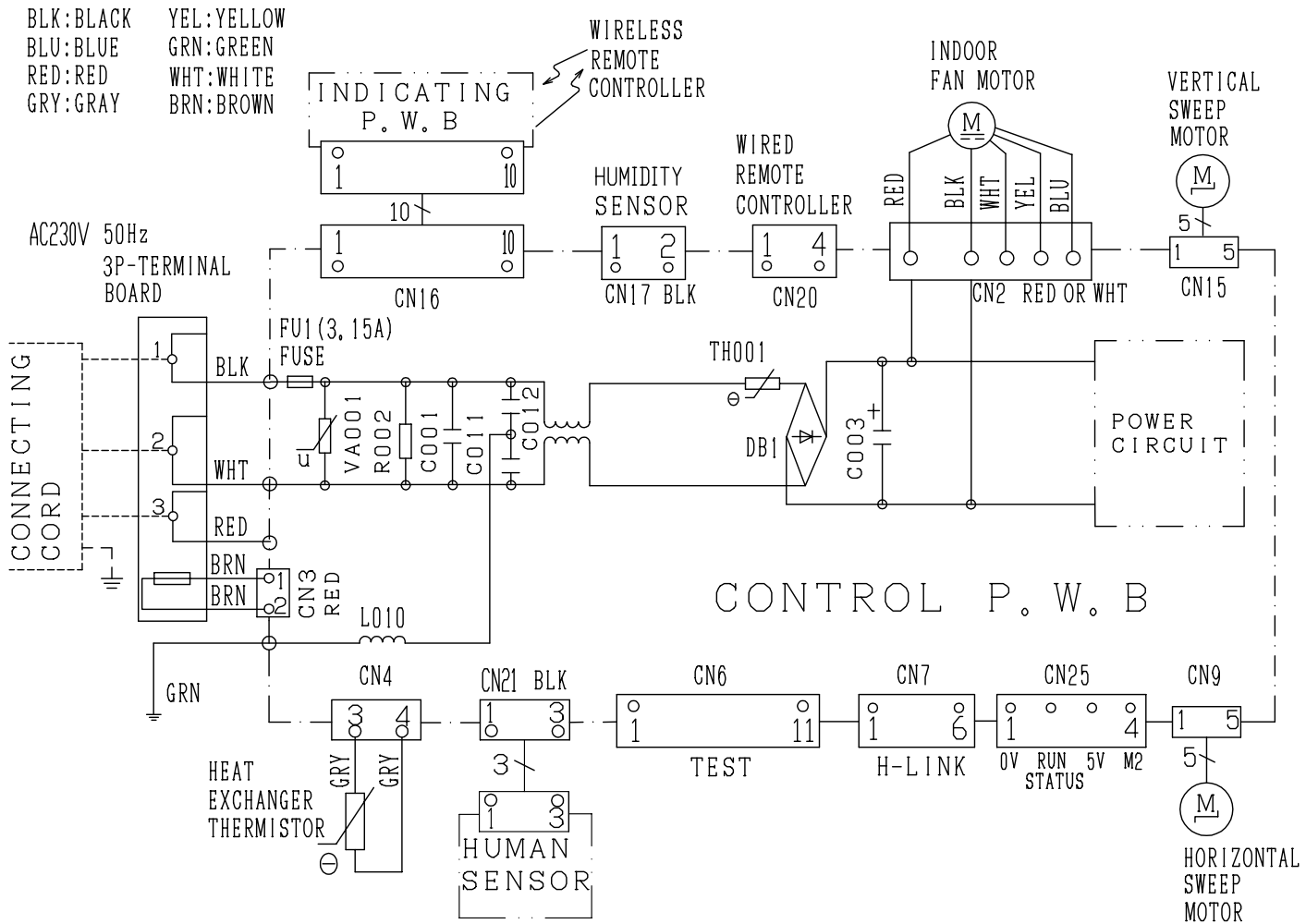


SCHALTPLAN RAK-15QEF, RAK-25/35/50REF



CAUTION! HIGH VOLTAGE TURN OFF THE POWER SOURCE DURING THE SERVICE WORK.

※ SOME MODELS NOT NEED TO INSTALL THE HORIZONTAL SWEEP MOTOR, HUMIDITY SENSOR, HUMAN SENSOR