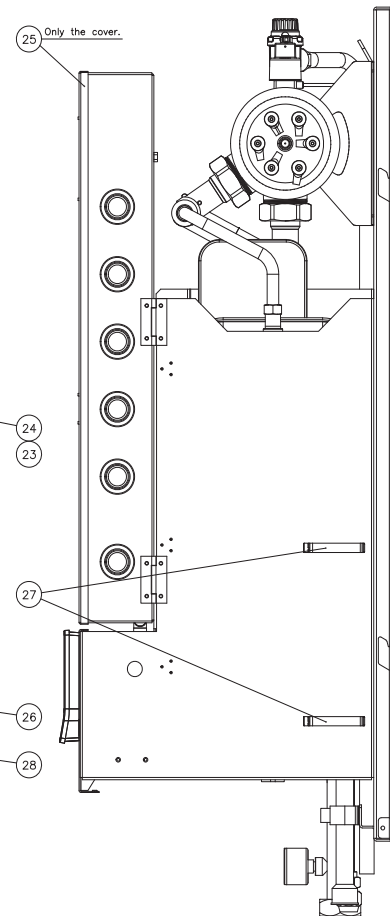
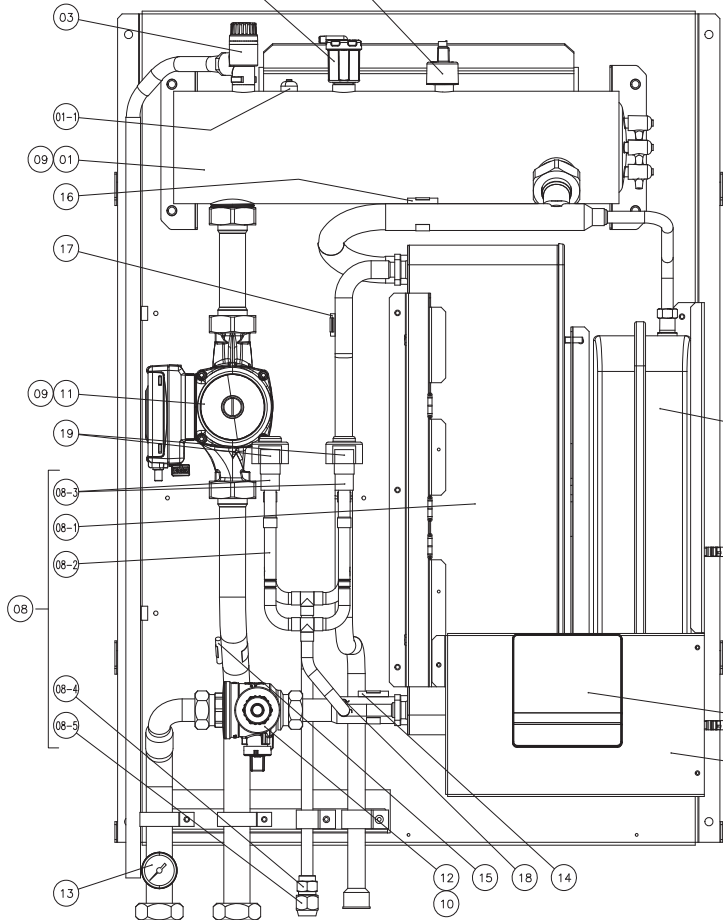
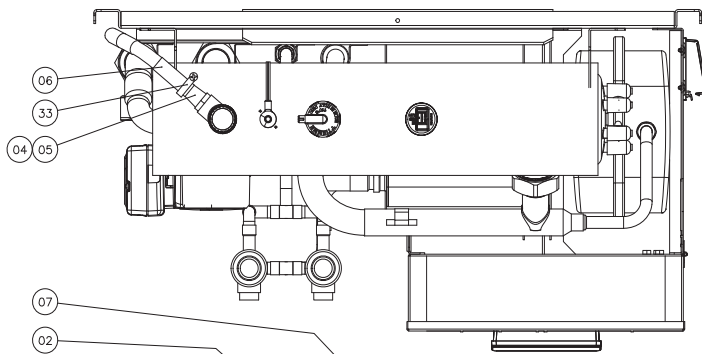
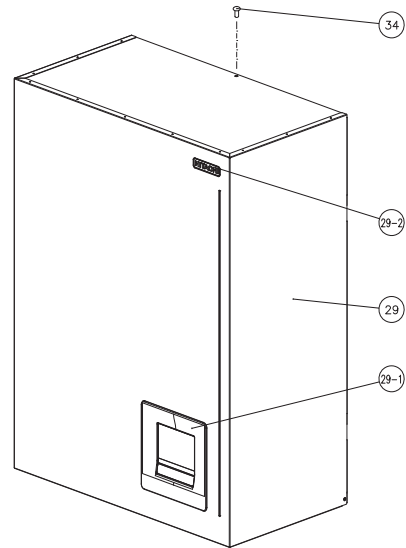
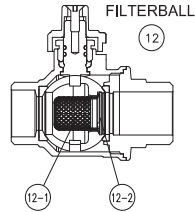
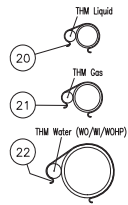
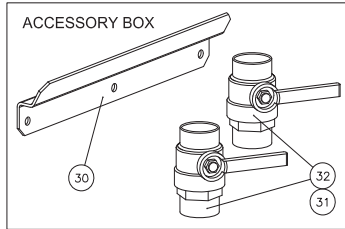


No.	DESCRIPTION	DWG No.	PART No.	PRODUCT CODE		REMARKS
				MODEL NAME		
				RWM-8.0N1E	7E475023	
				RWM-10.0N1E	7E475024	
No.	DESCRIPTION	DWG No.	PART No.	Qty	Qty	REMARKS
1	Electric Heater	XEK13030 A	E06157	1	1	
1-1	Surface Thermostat	XEK51313 A	E06159	1	1	Part of Electric Heater
2	Air Purge	XEK50420 A	E06307	1	1	
3	Security Valve	XEK37800 A	E02475	1	1	
4	Gasket	XEK36144 D	E04873	1	1	for Union 5 to Security Valve connection.
5	Union	XEK36303 A	E02507	1	1	
6	Drain Pipe	XEK36103 A	E02546	1	1	
7	Pressure Sensor	XEK27397 A	E07224	1	1	
8	Phex Unit	XEK27130 C	E07217	1		Assembly.
8	Phex Unit	XEK27130 D	E07218		1	Assembly.
8-1	Plate Hex	XEK26502 C	E06537	1		
8-1	Plate Hex	XEK26502 D	E06538		1	
8-2	Expansion Valve Assy	XEK27416 A	E07222	1		Exp.Valve + Pipes + Strainers + Silencer
8-2	Expansion Valve Assy	XEK27416 B	E07223		1	Exp.Valve + Pipes + Strainers + Silencer
8-3	Expansion Valve	X17F04392 A	E03077	2		
8-3	Expansion Valve	X17F04393 A	E03078		2	
8-4	Union	27JR0913	E02487	1		Liquid connection.
8-4	Union	27JR1313	E02775		1	Liquid connection.
8-5	Flare Nut	17E20872 B	R4225	1		Liquid connection.
8-5	Flare Nut	17E20872 C	R4226		1	Liquid connection.
9	Gasket	XEK35682 A	E02496	4	4	for Pump and Electric Heater connections.
10	Gasket	XEK36397 A	E02528	2	2	for Filter Ball connections.
11	Water Pump	XEK25344 A	E04977	1	1	
12	Filter Ball	XEK25347 A	E04840	1	1	
12-1	Filter	XEK39398 B	E04841	1	1	
12-2	Seeger	XEK39399 B	E04842	1	1	
13	Manometer	XEK39269 A	E05014	1	1	
14	Thermistor Assy 1	XEK26451 V	E07146	1	1	Water In THM.
15	Thermistor Assy 1	XEK26451 H	E04987	1	1	Water Out THM.
16	Thermistor Assy 1	XEK26451 M	E04990	1	1	Water Out PHEX THM.
17	Thermistor Assy 2	XEK26430 C	E04992	1	1	Gas THM.
18	Thermistor Assy 2	XEK26430 J	E04995	1	1	Liquid THM.
19	Exp. Valve Coil	X17F04390 C	E03180	2	2	
20	P-Spring	X17H31854 A	E07191	1	1	

No.	DESCRIPTION	DWG No.	PART No.	PRODUCT CODE		REMARKS
				MODEL NAME		
				RWM-8.0N1E	7E475023	
				RWM-10.0N1E	7E475024	
No.	DESCRIPTION	DWG No.	PART No.	Qty	Qty	REMARKS
21	P-Spring	X17G31457 A	E02444	1	1	
22	P-Spring	XEK36252 A	E02551	3	3	
23	Gasket	XEK36144 A	E02497	1	1	Vessel connection.
24	Expansion Vessel (10 L)	XEK27170 A	E04976	1	1	
25	E-Box Cover Assy	XEK52890 A	E07198	1	1	Plate + Labels.
26	Remote Controller	XEK52902 A	E07225	1	1	
27	Clamp	XEK36297 A	E02504	2	2	
28	Lcd Support	XEK52873 A	E07199	1	1	
29	Service Cover Assy	XEK27395 A	E07203	1	1	Assembly.
29-1	Lcd Frame	XEK13393 A	E07132	1	1	
29-2	Hitachi Label	XEK52930 A	E07226	1	1	
30	Wall Support	XEK36716 A	E02790	1	1	
31	Gasket	XEK36144 C	E04824	4	4	for Shutdown Valves connections.
32	Shutdown Valve	XEK39401 B	E04846	2	2	
33	Clamp	XEK39789 A	E05026	1	1	
34	Screw	17H12637 A	P25678	1	1	

MODELS:
RWM-8.0N1E
RWM-10.0N1E



PRODUCT CODE	MODEL NAME
7E475216	RWM-2.0R1E
7E475217	RWM-2.5R1E
7E475218	RWM-3.0R1E
7E475020	RWM-4.0N1E
7E475021	RWM-5.0N1E
7E475022	RWM-6.0N1E
7E475023	RWM-8.0N1E
7E475024	RWM-10.0N1E

No.	DESCRIPTION	DWG No.	PART No.	Qty	Qty	Qty	Qty	Qty	Qty	Qty	Qty	REMARKS
1	PCB	XEK52730 A	E07070	1	1	1	1	1	1	1	1	
2	Spacer	XEK34315 A	E01789	12	12	12	12	12	12	12	12	
3	Terminal Board	XEK34375 A	E02519	1	1	1	1	1	1	1	1	
4	Terminal Board	X17P00835 O	E04778	1	1	1	1	1	1	1	1	
5	Relay	XEK39260 A	E04779	3	3	3	3	3	3	3	3	
6	Fuse	XEK39253 A	E04780	3	3	3						6,3A
7	Fuse	XEK39253 B	E04781				3	3	3			12,5A
8	Fuse	XEK39253 D	E04782	1	1	1	1	1	1	4	4	20A
9	Fuse Holder	X17C68766 A	E02516	4	4	4	4	4	4	4	4	
10	Rocker Switch	XEK52821 A	E07134	1	1	1	1	1	1	1	1	
11	Clamp	XEK31150 A	E02012	1	1	1	1	1	1	1	1	
12	Rubber Bush	XEK32468 A	E02060	9	9	9	9	9	9	9	9	
13	Thermostat	XEK39254 A	E04785	1	1	1	1	1	1	1	1	
14	Electrical Box	XEK01850 A	E07204	1	1	1						Assembly (Plate + Components + Harness)
14	Electrical Box	XEK01850 B	E07205				1	1	1			Assembly (Plate + Components + Harness)
14	Electrical Box	XEK01850 C	E07206							1	1	Assembly (Plate + Components + Harness)
15	E-Box SubAssy	XEK27403 A	E07207	1	1	1	1	1	1	1	1	Only plate (without components)

MODELS:
 RWM-2.0R1E
 RWM-2.5R1E
 RWM-3.0R1E
 RWM-4.0N1E
 RWM-5.0N1E
 RWM-6.0N1E
 RWM-8.0N1E
 RWM-10.0N1E

