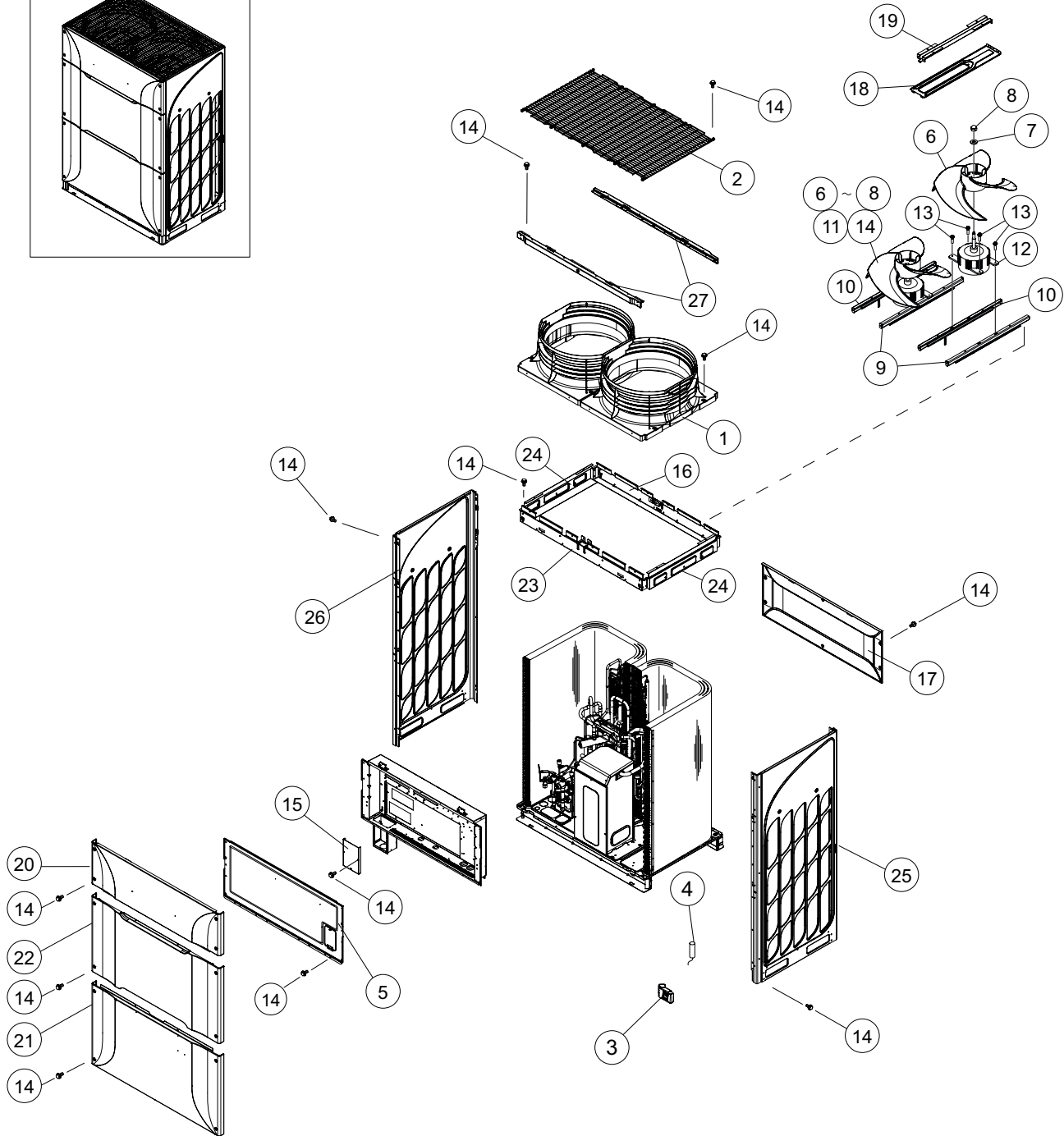
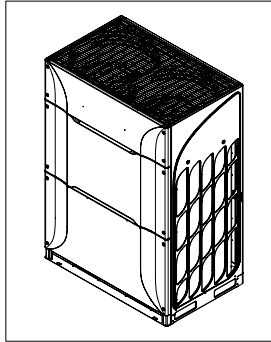


Cabinet and Fan

PRODUCT CODE	MODEL NAME
7E334310	RAS-8FSXNPE, 3~400V 50 HZ
7E334311	RAS-10FSXNPE, 3~400V 50 HZ
7E334312	RAS-12FSXNPE, 3~400V 50 HZ
7E334330	RAS-14FSXNPE, 3~400V 50 HZ

No.	DESCRIPTION	DWG No.	PART No.	Qty	Qty	Qty	Qty	REMARKS
1	Upper Cover	H7A03858 A		2	2	2	2	
2	Protector Net	H7C05641 A		2	2	2	2	
3	Thermistor Case	H7D10705 A		1	1	1	1	for Ta Thermistor
4	Thermistor	17C59663 A	P22520	1	1	1	1	THM7: for Ambient (Ta)
5	Electrical Box Cover Assy	XEK26208 A	E05589	1	1	1	1	
6	Propeller Fan	H7A03833 D	QU051008	2	2	2	2	Ø544
7	Washer	17E08525 E	P23249	2	2	2	2	SUS
8	Closing Nut	17D50034 D	P23248	2	2	2	2	SUS, M10
9	Motor Clamp	H7C05624 A		2	2	2	2	
10	Motor Clamp Assy	H7D10935 A		2	2	2	2	
11	Fan Motor	17A26828 C	P31321	1	1	1	1	MOF1: L-HJ-750-G4-1
12	Fan Motor	17A26828 D	P31322	1	1	1	1	MOF2: L-HJ-750-H4-1
13	M6 SUS Screw	X17D30320 H	E03097	8	8	8	8	for Fan Motor
14	Special Screw	17H12637 A	P25678	118	118	118	118	
15	TB Box Cover	XEK50624 A	E05576	1	1	1	1	
16	Back Middle Frame Stay	H7C05612 A		1	1	1	1	
17	Back Upper Cover	H7B04765 A		1	1	1	1	
18	Center Middle Frame Stay 1	H7C05622 A		1	1	1	1	
19	Center Middle Frame Stay 2	H7C05621 B		1	1	1	1	
20	Front Cover 1	H7B04756 A		1	1	1	1	Front Upper cover
21	Front Cover 2 Assy	XEK51246 A	E05596	1	1	1	1	Front Bottom cover
22	Front Cover 3	H7B04759 A		1	1	1	1	Front Center cover
23	Front Middle Frame Stay 1	H7C05611 A		1	1	1	1	
24	Middle Frame Stay	H7C06059 A		2	2	2	2	Right / Left side
25	Side Cover R Assy	XEK26476 A	E05585	1	1	1	1	
26	Side Cover L Assy	XEK26478 A	E05600	1	1	1	1	
27	Upper Frame	H7C05618 A		2	2	2	2	Front / Back side

Cabinet and Fan



A	Truss Head Tapping Screw		F	Stud Bolt	
B	Round Head Screw		G	Nut	
C	Flat Head Screw		H	Washer	
D	Pan Head Tapping Screw		J	Spring Lock Washer	
E	Hexagon Head Bolt		K	Toothed Lock Washer	

NOTE:
The unicromated coating is applied to iron and steel material for the unspecified materials of the bolt and screw.

Refrigerant Cycle

No.	DESCRIPTION	DWG No.	PART No.	MODEL NAME				REMARKS
				Qty	Qty	Qty	Qty	
1	INV Compressor	17F20906 A	06950224	1				MC1: AA50PHD-D2YE2
		17F20907 A	06954644		1			MC1: DB65PHD-D2YE2
		17F20908 A	06964624			1	1	MC1: DC80PHD-D2YE2
2	Vibration Absorber	17D21147 B	P28639	4	4	4	4	
3	Vibration Absorber	X17D21207 A	E00699	3	3	3	3	
4	Nut	17D49475 A	P21245	3	3	3	3	
5	Crankcase Heater	17B48790 A	P31323	3				CH1: 37.3W, Belt Heater
		17B48790 C	P31325		3	3	3	CH1: 37.3W, Belt Heater
6	Rubber Cap	17B29767 A	P24397	1	1	1	1	
7	C-Cover	XEK26147 B	E06123	1	1	1	1	
8	C-Cover	XEK51248 A	E06120	1	1	1	1	
9	C-Cover Assy	XEK50847 A	E05741	1	1	1	1	
9-1	C-Cover Assy	XEK50768 A	E06118	1	1	1	1	
9-2	Sound Proof Sheet	XEK51163 A	E05620	1	1	1	1	
9-3	Rubber Bush	17H33253 A	P31359	3	3	3	3	
10	C-Cover Assy	XEK50873 B	E05742	1	1	1	1	
10-1	C-Cover	XEK51464 A	E06125	1	1	1	1	
10-2	Sound Proof Sheet	XEK51164 A	E05622	1	1	1	1	
11	C-Cover Assy	XEK50769 A	E05769	1	1	1	1	
12	Accumulator	XEK12889 A	E05623	1	1	1		
		XEK12890 A	E05651				1	
13	Oil Pipe Assy	XEK50832 A	E05766	1	1	1	1	
13-1	Check Joint	17C75461 D	P29350	1	1	1	1	
14	V Stay Assy	17H30618 A		1	1	1	1	
15	D-Pipe Assy	XEK12908 A	E05626	1				
		XEK12909 A	E05627		1	1	1	
15-1	Oil Separator	X17F19258 A	E05633	1	1	1	1	
15-2	Check Valve	17F18046 A	P31065	1	1	1	1	
15-3	Strainer	17D55178 A	P16943	1	1	1	1	
15-4	Pressure Switch	XEK22551 A	E03359	1	1	1	1	PSH1: ACB-1UB34
		XEK12912 A	E05728	1	1	1		
16	L-Pipe Assy	XEK12910 A	E05656				1	
		XEK38011 C	E05657	1	1	1	1	
16-1	Double Pipe	XEK38011 C	E05657	1	1	1	1	
16-2	Plate Stay	X17H30158 A	E05658	1	1	1	1	
16-3	Plate Clamp	X17E25685 A	E03116	1	1	1	1	
16-4	Rubber Seat	X17H10681 A	E03921	1	1	1	1	
16-5	Expansion Valve	X17F05654 A	E05577	1	1	1	1	MVB: UKV-25D174 without Coil
16-6	EXPV. Coil	X17C78180 C	E01369	1	1	1	1	MVB: UKV-A035
16-7	Strainer	17G62700 A	P25041	1	1	1	1	
16-8	Service Valve	17F17387 A	P29837	1	1	1		OD: 3/8
		XEK25608 A	E03449				1	OD: 1/2
16-9	Special Screw	X17D30320 F	E05571	2	2	2	2	SUS, M6

Refrigerant Cycle

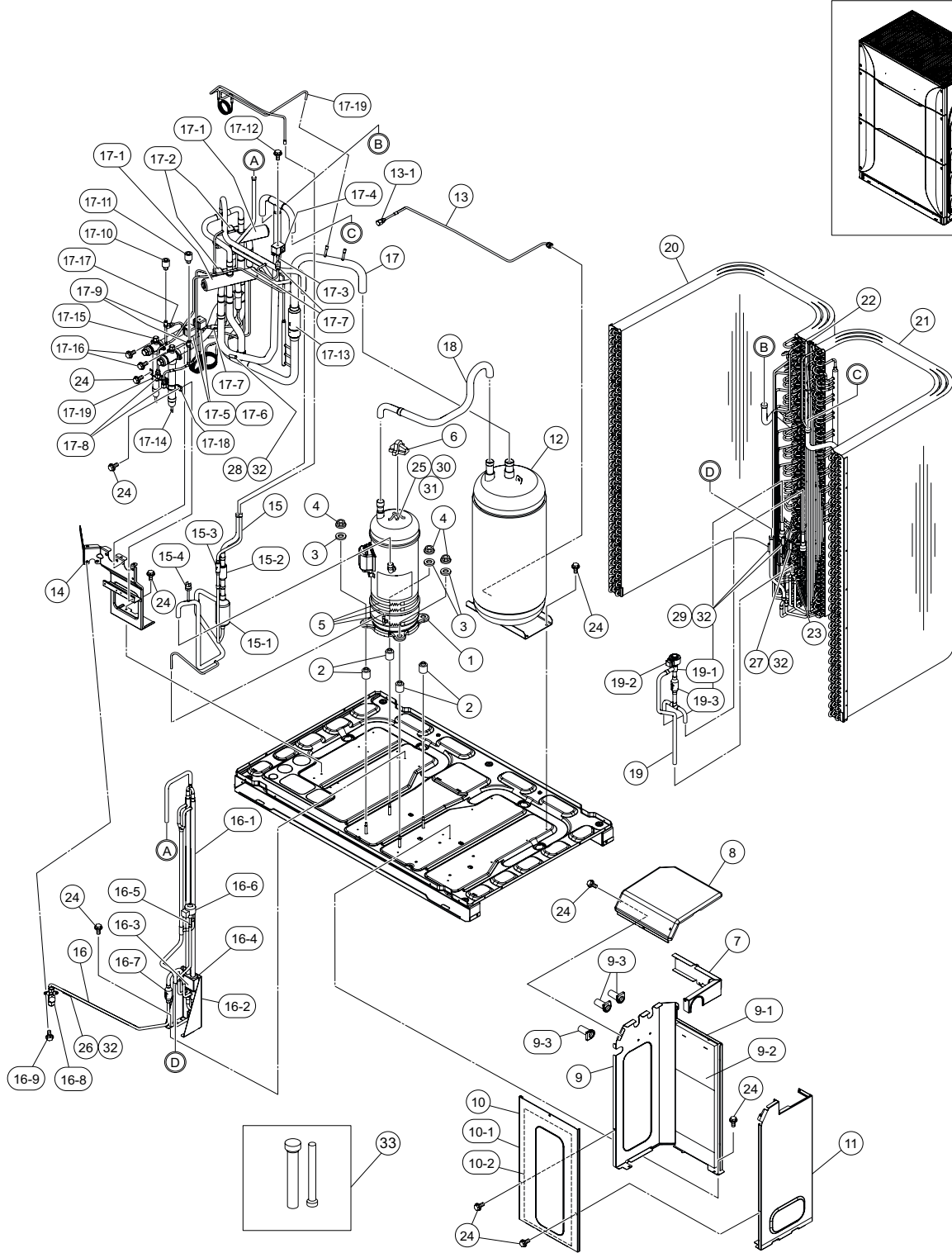
No.	DESCRIPTION	DWG No.	PART No.	MODEL NAME				REMARKS
				RAS-8FSXNPE, 3~400V 50 HZ	RAS-10FSXNPE, 3~400V 50 HZ	RAS-12FSXNPE, 3~400V 50 HZ	RAS-14FSXNPE, 3~400V 50 HZ	
				PRODUCT CODE				
				7E334310	7E334311	7E334312	7E334330	
17	Reversing Valve Assy	XEK12946 A	E05729	1				
		XEK12946 B	E05730		1			
		XEK12947 A	E05731			1		
		XEK12942 B	E05732				1	
17-1	Reversing Valve	X17F06923 A	E05579	2	2	2	2	RVR1, 2: STF-H0712 without Coil
17-2	Coil	17F06925 C	P31570	2	2	2	2	RVR1, 2: STF-H01AI2401A1
17-3	Solenoid Valve	17F14670 A	P31176	1	1	1	1	SVA: FDF5A11 without Coil
17-4	Coil	17F14671 D	P31180	1	1	1	1	SVA: FQ-A0522G-001332
17-5	Solenoid Valve	17F13308 A	P30165	2	2	2	2	SVG: TEV-S without Coil
17-6	Coil	17F13309 D	P30169	2	2	2	2	SVG: TEV-SM0AJ2066A1
17-7	Strainer	17G62701 A	P25036	1	1	1	1	
17-8	Check Joint	17C75461 B	P25044	2	2	2	2	
17-9	PGC Joint	17C93010 B	P27887	2	2	2	2	
17-10	Pressure Sensor (D)	X17B46255 D	E05586	1	1	1	1	PD: NSK-BH050F-565
17-11	Pressure Sensor (S)	X17B46256 D	E05587	1	1	1	1	PS: NSK-BH020F-565
17-12	Screw	17H32504 A	P31227	1	1	1	1	for Solenoid Valve
17-13	Strainer	17G87733 A	P27603	1	1	1	1	
17-14	Check Valve	17F09233 A	P29260	2	2	2	1	OD: 7/8
		17F09234 A	P29261				1	OD: 1/1
17-15	Special Screw	X17D30320 F	E05571	2	2	2	2	SUS, M6
17-16	Check Joint	X17C75461 C	E03124	1	1	1	1	
17-17	Band	17G00129 H		2	2	2	1	
17-18	Band	17G00129 E					1	
17-19	Oil Return Pipe Assy	X17F19517 A	E05680	1				
		X17F19384 A	E05681		1			
		X17F19519 A	E05733			1		
		X17F19383 A	E05665				1	
18	S-Pipe Assy	X17H30729 A	E05734	1				
		X17H30731 A	E05735		1			
		X17H30733 A	E05736			1		
		X17H30248 A	E05666				1	
19	Expansion Valve Assy	X17H30438 A	E05737	1	1	1	1	
19-1	Expansion Valve	17F07288 B	P29262	1	1	1	1	MV1: PAM-BBOYGHS-1 without Coil
19-2	EXPV. Coil	17F07287 A	P29263	1	1	1	1	MV1: PAM-MD12HS-7
19-3	Strainer	17G62700 A	P25041	1	1	1	1	
20	Heat Exchanger	XEK12975 A	E05738	1	1	1	1	Left
21	Heat Exchanger	XEK12979 A	E05739	1	1	1	1	Right
22	Stay for Heat Exchanger	XEK26165 A	E05908	1	1	1	1	
23	SC-Pipe Assy	X17H31266 A	E05740	1	1	1	1	
24	Special Screw	17H12637 A	P25678	20	20	20	20	
25	Thermistor	17B24597 A	P22521	1	1	1	1	TD1, THM8
26	Thermistor	17C59664 A	P22523	1	1	1	1	for Pipe Temperature, TCHG, THM17
27	Thermistor	17C59664 E	P23507	1	1	1	1	for Pipe Temperature, TE2, THM11

Refrigerant Cycle

No.	DESCRIPTION	DWG No.	PART No.	MODEL NAME				REMARKS
				Qty	Qty	Qty	Qty	
28	Thermistor	17C59664 E	P23507	1	1	1	1	for Pipe Temperature, TG, THM12
29	Thermistor	17C59664 E	P23507	2	2	2	2	for Pipe Temperature, TE1 & TSC, THM10 & THM23
30	TH Plate	X17D82987 A	E05644	1	1	1	1	
31	TH Plate	X17D40794 A	E05645	1	1	1	1	
32	TH Plate	X17D49473 A	E05646	5	5	5	5	
33	Accessory Pipe Assy	XEK51148 D	E05762	1				
		X17H11054 A	E05642		1			
		X17H11054 E	E05643			1		
		XEK51148 K	E05760				1	

MODEL NAME	PRODUCT CODE
RAS-8FSXNPE, 3~400V 50 HZ	7E334310
RAS-10FSXNPE, 3~400V 50 HZ	7E334311
RAS-12FSXNPE, 3~400V 50 HZ	7E334312
RAS-14FSXNPE, 3~400V 50 HZ	7E334330

Refrigerant Cycle



A	Truss Head Tapping Screw		F	Stud Bolt	
B	Round Head Screw		G	Nut	
C	Flat Head Screw		H	Washer	
D	Pan Head Tapping Screw		J	Spring Lock Washer	
E	Hexagon Head Bolt		K	Toothed Lock Washer	

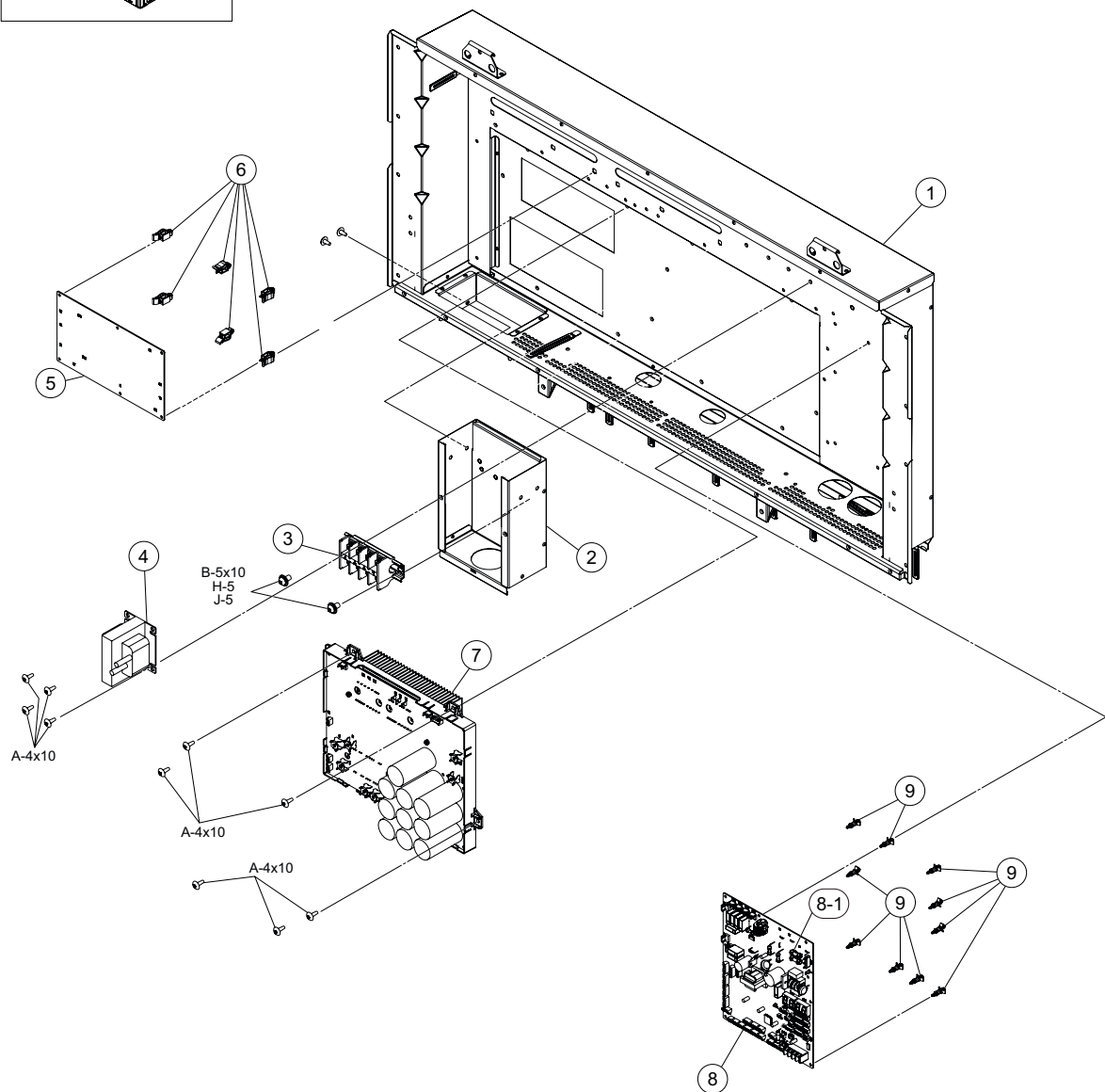
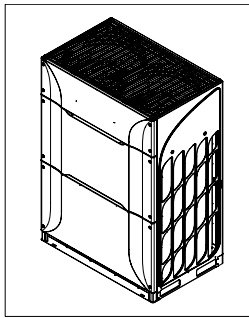
NOTE:
The unchromated coating is applied to iron and steel material for the unspecified materials of the bolt and screw.

Electrical Parts

No.	DESCRIPTION	DWG No.	PART No.	MODEL NAME				REMARKS
				Qty	Qty	Qty	Qty	
1	Electrical Box	XEK12915 A	E05719	1	1	1	1	
2	TB Box	XEK50752 A	E05715	1	1	1	1	
3	Terminal Block	XEK34375 A	E02519	1	1	1	1	TB1: 600V, 50A
4	Reactor	17H32793 B	P31332	1	1	1	1	DCL1: 1.0mH, 35A
5	Noise Filter	17A26887 B	P31277	1	1	1	1	NF1: NF161, Power fuses (PF 50A)
6	Holder	17G07802 A	P20985	6	6	6	6	Noise Filter Holder
7	Inverter Fin	17F21278 G	P31274	1				INV1: PV161.19.5A,Smoothing Capacitor (8000µF)
		17F21278 H	P31275		1	1	1	INV1: PV161.26A,Smoothing Capacitor (8000µF)
8	Control PCB	17B47250 B	P31267	1	1	1	1	PCB1: PO151
8-1	Fuse	17C90851 A	P27957	2	2	2	2	EFR1, EFS1: AC250V, 5A
9	Spacer	XEK30992 C	E03165	10	10	10	10	PCB Holder

PRODUCT CODE	MODEL NAME
7E334310	RAS-8FSXNPE, 3~400V 50 HZ
7E334311	RAS-10FSXNPE, 3~400V 50 HZ
7E334312	RAS-12FSXNPE, 3~400V 50 HZ
7E334330	RAS-14FSXNPE, 3~400V 50 HZ

Electrical Parts



A	Truss Head Tapping Screw		F	Stud Bolt	
B	Round Head Screw		G	Nut	
C	Flat Head Screw		H	Washer	
D	Pan Head Tapping Screw		J	Spring Lock Washer	
E	Hexagon Head Bolt		K	Toothed Lock Washer	

NOTE:
The uncoated coating is applied to iron and steel material for the unspecified materials of the bolt and screw.