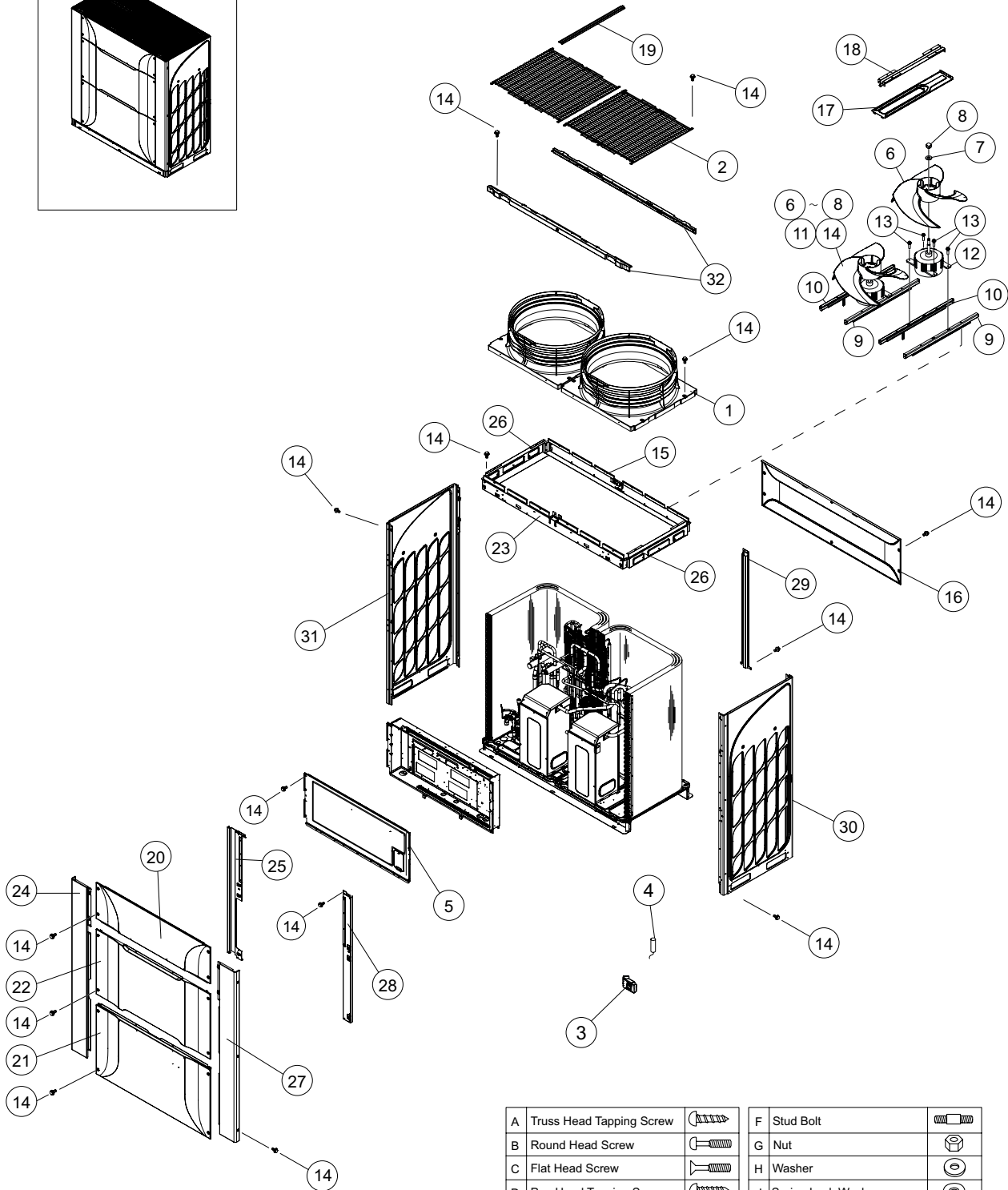
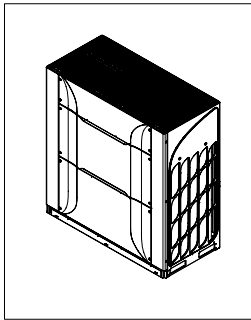


Cabinet and Fan

No.	DESCRIPTION	DWG No.	PART No.	MODEL NAME		REMARKS
				PRODUCT CODE	MODEL NAME	
				RAS-16FSXNPE, 3~400V 50 HZ	7E334331	
				RAS-18FSXNPE, 3~400V 50 HZ	7E334332	
No.	DESCRIPTION	DWG No.	PART No.	Qty	Qty	REMARKS
1	Upper Cover	H7A03857 A		2	2	
2	Protector Net	H7D09775 A		2	2	
3	Thermistor Case	H7D10705 A		1	1	for Ta Thermistor
4	Thermistor	17C59663 A	P22520	1	1	THM7: for Ambient (Ta)
5	Electrical Box Cover Assy	XEK26266 A	E05603	1	1	
6	Propeller Fan	X17A21604 A	E05575	2	2	Ø644
7	Washer	17E08525 E	P23249	2	2	SUS
8	Closing Nut	17D50034 D	P23248	2	2	SUS, M10
9	Motor Clamp	H7C05624 A		2	2	
10	Motor Clamp Assy	H7D10935 A		2	2	
11	Fan Motor	17A26828 A	P31319	1	1	MOF1: L-HJ-750-E4-1
12	Fan Motor	17A26828 B	P31320	1	1	MOF2: L-HJ-750-F4-1
13	M6 SUS Screw	X17D30320 H	E03097	8	8	for Fan Motor
14	Special Screw	17H12637 A	P25678	115	115	
15	Back Middle Frame Stay	H7C05614 A		1	1	
16	Back Upper Cover	H7B04766 A		1	1	
17	Center Middle Frame Stay 1	H7C05622 A		1	1	
18	Center Middle Frame Stay 2	H7C05621 A		1	1	
19	Center Upper Frame	H7C05625 A		1	1	
20	Front Cover 1	H7B04757 A		1	1	Front Upper cover
21	Front Cover 2 Assy	XEK51254 A	E05609	1	1	Front Bottom cover
22	Front Cover 3	H7B04760 A		1	1	Front Center cover
23	Front Middle Frame Stay 1	H7C05613 A		1	1	
24	L Front Corner	H7C05629 A		1	1	
25	L Front Stay	XEK26143 A	E05613	1	1	
26	Middle Frame Stay	H7C06059 A		2	2	Right / Left side
27	R Front Corner	H7C05630 A		1	1	
28	R Front Stay	H7C05628 A		1	1	
29	Rear Cond. Stay	XEK26167 A	E05616	1	1	
30	Side Cover R Assy	XEK26476 A	E05585	1	1	
31	Side Cover L Assy	XEK26478 A	E05600	1	1	
32	Upper Frame	H7C05619 A		2	2	Front / Back side

Cabinet and Fan



A	Truss Head Tapping Screw		F	Stud Bolt	
B	Round Head Screw		G	Nut	
C	Flat Head Screw		H	Washer	
D	Pan Head Tapping Screw		J	Spring Lock Washer	
E	Hexagon Head Bolt		K	Toothed Lock Washer	

NOTE:
The unchromated coating is applied to iron and steel material for the unspecified materials of the bolt and screw.

Refrigerant Cycle

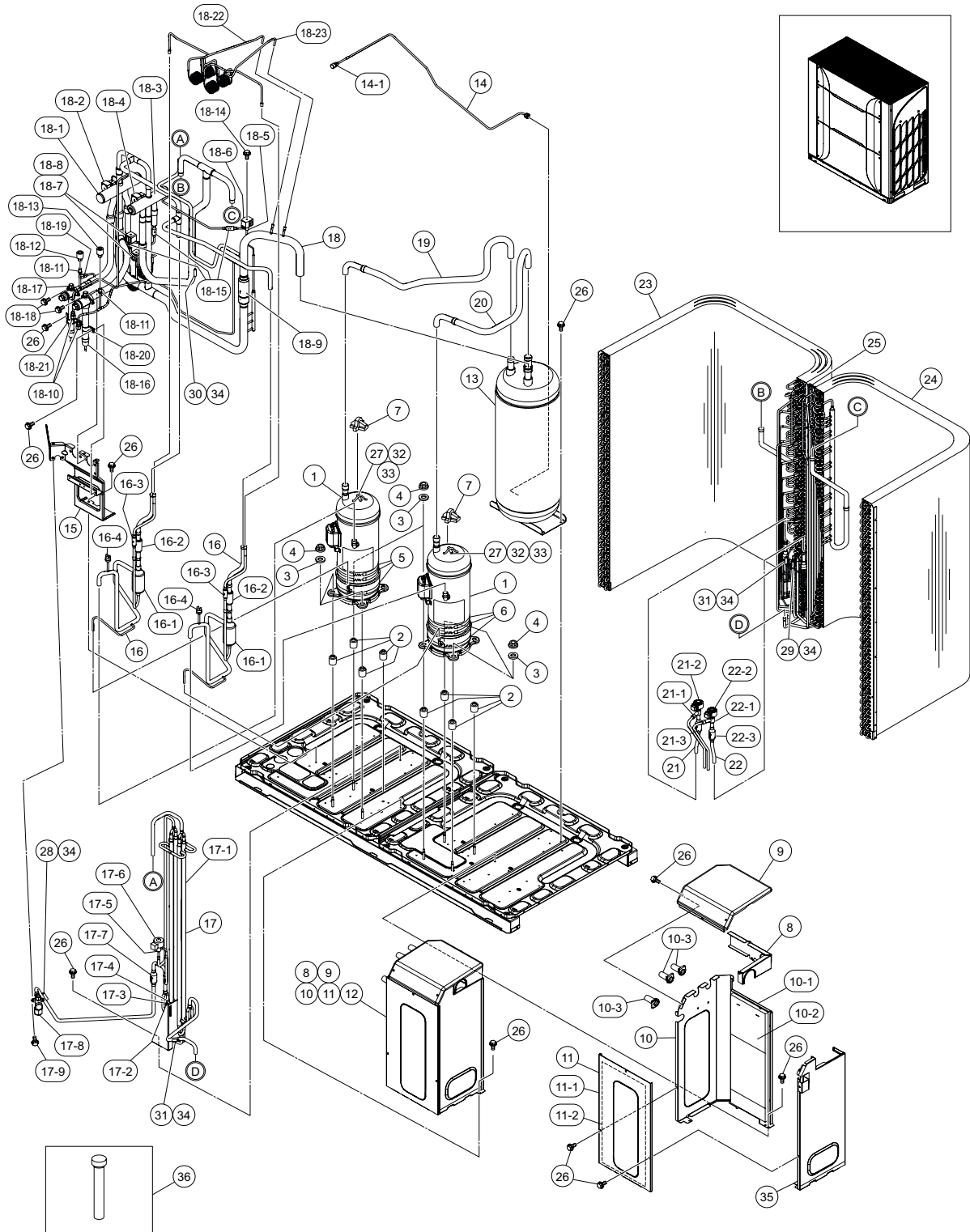
PRODUCT CODE	7E334331
	7E334332
MODEL NAME	RAS-16FSXNPE, 3~400V 50 HZ
	RAS-18FSXNPE, 3~400V 50 HZ

No.	DESCRIPTION	DWG No.	PART No.	Qty	Qty	REMARKS
1	INV Compressor	17F20906 A	06950224	2		MC1: AA50PHD-D2YE2
		17F20908 A	06964624		2	MC1: DC80PHD-D2YE2
2	Vibration Absorber	17D21147 B	P28639	8	8	
3	Vibration Absorber	X17D21207 A	E00699	6	6	
4	Nut	17D49475 A	P21245	6	6	
5	Crankcase Heater	17B48790 A	P31323	3		CH1: 37.3W, Belt Heater
		17B48790 C	P31325		3	CH1: 37.3W, Belt Heater
6	Crankcase Heater	17B48790 B	P31324	3		CH2: 37.3W, Belt Heater
		17B48790 D	P31326		3	CH2: 37.3W, Belt Heater
7	Rubber Cap	17B29767 A	P24397	2	2	
8	C-Cover	XEK26147 B	E06123	2	2	
9	C-Cover	XEK51248 A	E06120	2	2	
10	C-Cover Assy	XEK50847 A	E05741	2	2	
10-1	C-Cover Assy	XEK50768 A	E06118	2	2	
10-2	Sound Proof Sheet	XEK51163 A	E05620	2	2	
10-3	Rubber Bush	17H33253 A	P31359	6	6	
11	C-Cover Assy	XEK50873 B	E05742	2	2	
11-1	C-Cover	XEK51464 A	E06125	2	2	
11-2	Sound Proof Sheet	XEK51164 A	E05622	2	2	
12	C-Cover Assy	XEK50769 A	E05769	1	1	
13	Accumulator	XEK12891 A	E05674	1	1	
14	Oil Pipe Assy	XEK50834 A	E05768	1	1	
14-1	Check Joint	17C75461 D	P29350	1	1	
15	V Stay Assy	17H30618 A		1	1	
16	D-Pipe Assy	XEK12908 A	E05626	2		
		XEK12909 A	E05627		2	
16-1	Oil Separator	X17F19258 A	E05633	2	2	
16-2	Check Valve	17F18046 A	P31065	2	2	
16-3	Strainer	17D55178 A	P16943	2	2	
16-4	Pressure Switch	XEK22551 A	E03359	2	2	PSH1, PSH2: ACB-1UB34
17	L-Pipe Assy	XEK12911 A	E05743	1	1	
17-1	Double Pipe	XEK38011 C	E05657	1	1	
17-2	Plate Stay	X17H30158 A	E05658	1	1	
17-3	Plate Clamp	X17E25685 A	E03116	1	1	
17-4	Rubber Seat	X17H10681 A	E03921	1	1	
17-5	Expansion Valve	X17F05654 A	E05577	1	1	MVB: UKV-25D174 without Coil
17-6	EXPV. Coil	X17C78180 C	E01369	1	1	MVB: UKV-A035
17-7	Strainer	17G62700 A	P25041	1	1	OD: 5/8
17-8	Check Valve	X17F15944 A	E05582	1	1	SUS, M6
17-9	Special Screw	X17D30320 F	E05571	2	2	
18	Reversing Valve Assy	XEK12948 A	E05744	1		
		XEK12948 B	E05745		1	
18-1	Reversing Valve	X17B36157 A	E05698	1	1	RVR1: STF-1511G without Coil
18-2	Coil	X17C74970 D	E05699	1	1	RVR1: STF-01AJ504D1
18-3	Reversing Valve	X17F06923 A	E05579	1	1	RVR2: STF-01AQ2339A1
18-4	Coil	X17F06925 B	E05660	1	1	RVR2: STF-H01AI2401A1
18-5	Solenoid Valve	17F13308 A	P30165	2	2	SVG: TEV-S without Coil

Refrigerant Cycle

No.	DESCRIPTION	DWG No.	PART No.	MODEL NAME		REMARKS
				RAS-16FSXNPE; 3~400V 50 HZ	RAS-18FSXNPE; 3~400V 50 HZ	
				PRODUCT CODE	7E334331	
				PRODUCT CODE	7E334332	
No.	DESCRIPTION	DWG No.	PART No.	Qty	Qty	REMARKS
18-6	Coil	17F13309 D	P30169	2	2	SVG: TEV-SM0AJ2066A1
18-7	Solenoid Valve	17F14670 A	P31176	1	1	SVA: FDF5A11 without Coil
18-8	Coil	17F14671 D	P31180	1	1	SVA: FQ-A0522G-001332
18-9	Strainer	17G87733 A	P27603	1	1	
18-10	Check Joint	17C75461 B	P25044	2	2	
18-11	PGC Joint	17C93010 B	P27887	2	2	
18-12	Pressure Sensor (D)	X17B46255 D	E05586	1	1	PD: NSK-BH050F-565
18-13	Pressure Sensor (S)	X17B46256 D	E05587	1	1	PS: NSK-BH020F-565
18-14	Screw	17H32504 A	P31227	1	1	for Solenoid Valve
18-15	Strainer	17G62701 A	P25036	1	1	
18-16	Service Valve	17F09234 B	P31057	1	1	OD: 1 1/8
18-17	Service Valve	17F09233 A	P29260	1	1	OD: 7/8
18-18	Special Screw	X17D30320 F	E05571	2	2	SUS, M6
18-19	Check Joint	X17C75461 C	E03124	1	1	
18-20	Band	17G00129 H		2	2	
18-22	Oil Return Pipe Assy	X17F19652 A	E05747	1		
		X17F19636 A	E05748		1	
18-23	Oil Return Pipe Assy	X17F19653 A	E05749	1		
		X17F19637 A	E05750		1	
19	S-Pipe Assy	X17H30902 A	E05751	1		
		X17H30904 A	E05752		1	
20	S-Pipe Assy	X17H30903 A	E05753	1		
		X17H30905 A	E05754		1	
21	Expansion Valve Assy	X17H30665 A	E05755	1	1	
21-1	Expansion Valve	17F07288 B	P29262	1	1	MV1: PAM-BBOYGHS-1 without Coil
21-2	EXPV. Coil	17F07287 A	P29263	1	1	MV1: PAM-MD12HS-7
21-3	Strainer	17G62700 A	P25041	1	1	
22	Expansion Valve Assy	X17H30666 A	E05756	1	1	
22-1	Expansion Valve	17F07288 B	P29262	1	1	MV2: PAM-BBOYGHS-1 without Coil
22-2	EXPV. Coil	17F07287 A	P29263	1	1	MV2: PAM-MD12HS-7
22-3	Strainer	17G62700 A	P25041	1	1	
23	Heat Exchanger	XEK12976 A	E05757	1	1	
24	Heat Exchanger	XEK12980 A	E05758	1	1	
25	Stay for Heat Exchanger	XEK26165 B	E05780	1	1	
26	Special Screw	17H12637 A	P25678	20	20	
27	Thermistor	17B24597 A	P22521	2	2	TD1, TD2, THM8
28	Thermistor	17C59664 D	P23504	1	1	for Pipe Temperature, TCHG, THM17
29	Thermistor	17C59664 B	P23039	1	1	for Pipe Temperature, TE2, THM11
30	Thermistor	17C59664 E	P23507	1	1	for Pipe Temperature, TG, THM12
31	Thermistor	17C59664 E	P23507	2	2	for Pipe Temperature, TE1 & TSC, THM10 & THM23
32	TH Plate	X17D82987 A	E05644	2	2	
33	TH Plate	X17D40794 A	E05645	2	2	
34	TH Plate	X17D49473 A	E05646	5	5	
35	C-Cover Assy	XEK50769 A	E05769	1	1	
36	Accessory Pipe Assy	XEK51148 J	E05764	1		
		XEK51148 G	E05717		1	

Refrigerant Cycle



A	Truss Head Tapping Screw		F	Stud Bolt	
B	Round Head Screw		G	Nut	
C	Flat Head Screw		H	Washer	
D	Pan Head Tapping Screw		J	Spring Lock Washer	
E	Hexagon Head Bolt		K	Toothed Lock Washer	

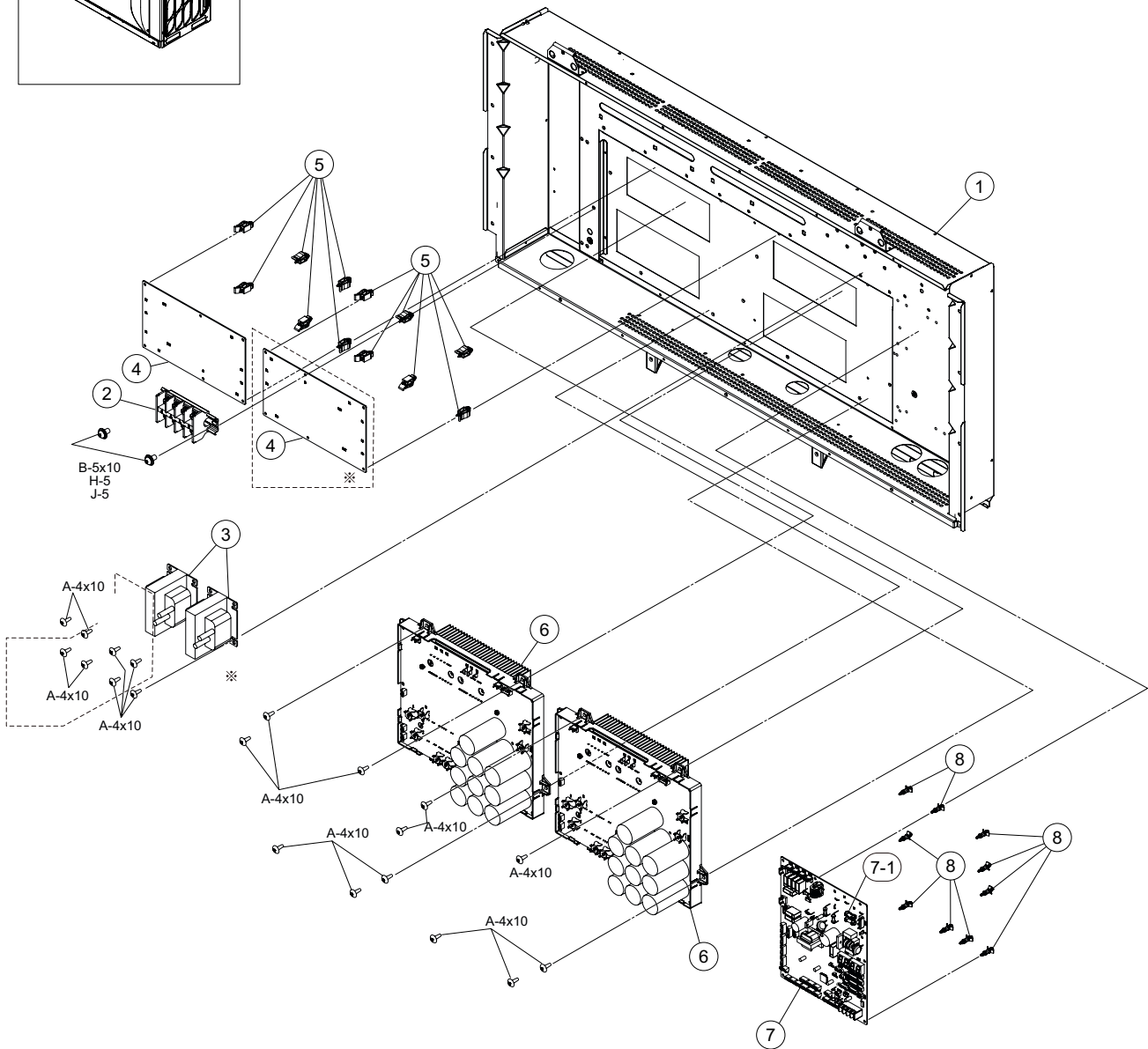
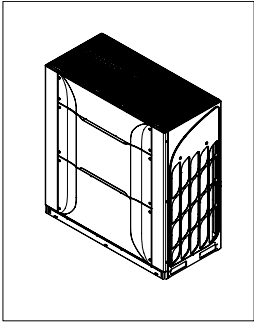
NOTE:
The uncoated coating is applied to iron and steel material for the unspecified materials of the bolt and screw.

Electrical Parts

MODEL NAME	PRODUCT CODE
RAS-18FSXNPE, 3~400V 50 HZ	7E334332

No.	DESCRIPTION	DWG No.	PART No.	Qty	Qty	REMARKS
1	Electrical Box	XEK12916 B	E05722	1	1	
2	Terminal Block	17P00843 C	P29802	1	1	TB1: 600V, 80A
3	Reactor	17H32793 B	P31332	1	1	DCL1: 1.0mH, 35A
		17H32793 C	P31333	1	1	DCL2: 1.0mH, 35A
4	Noise Filter	17A26887 B	P31277	2	2	NF1, NF2: NF161, Power fuses (PF 50A)
5	Holder	17G07802 A	P20985	12	12	Noise Filter Holder
6	Inverter Fin	17F21278 E	P31272	2		INV1, INV2: PV161,19.5A, Smoothing Capacitor (8000µF)
		17F21278 F	P31273		2	INV1, INV2: PV161,26A, Smoothing Capacitor (8000µF)
7	Control PCB	17B47250 B	P31267	1	1	PCB1: PO151
7-1	Fuse	17C90851 A	P27957	2	2	EFR1, EFS1: AC250V, 5A
8	Spacer	XEK30992 C	E03165	10	10	PCB Holder

Electrical Parts



A	Truss Head Tapping Screw		F	Stud Bolt	
B	Round Head Screw		G	Nut	
C	Flat Head Screw		H	Washer	
D	Pan Head Tapping Screw		J	Spring Lock Washer	
E	Hexagon Head Bolt		K	Toothed Lock Washer	

NOTE:
The unchromated coating is applied to iron and steel material for the unspecified materials of the bolt and screw.