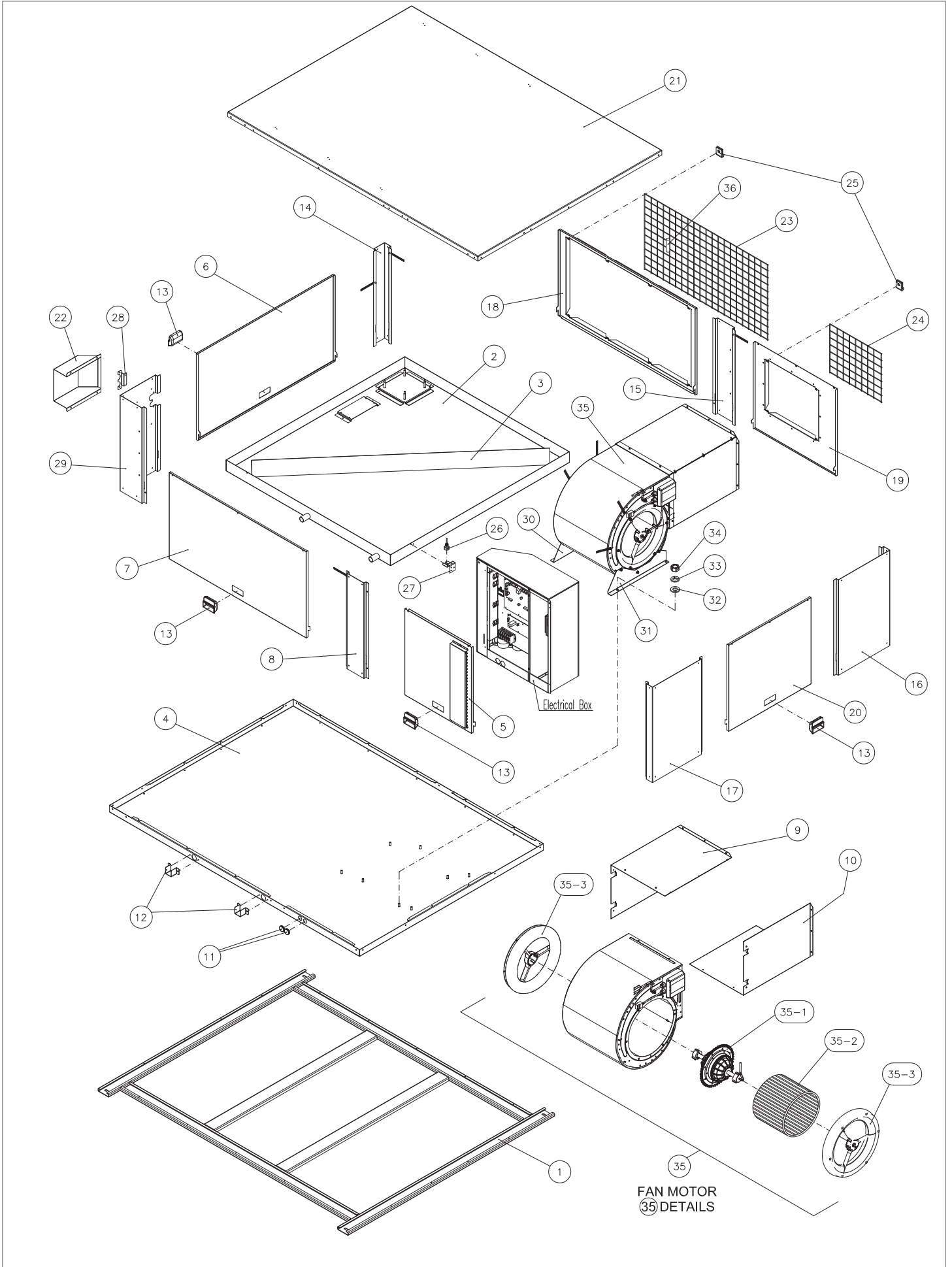
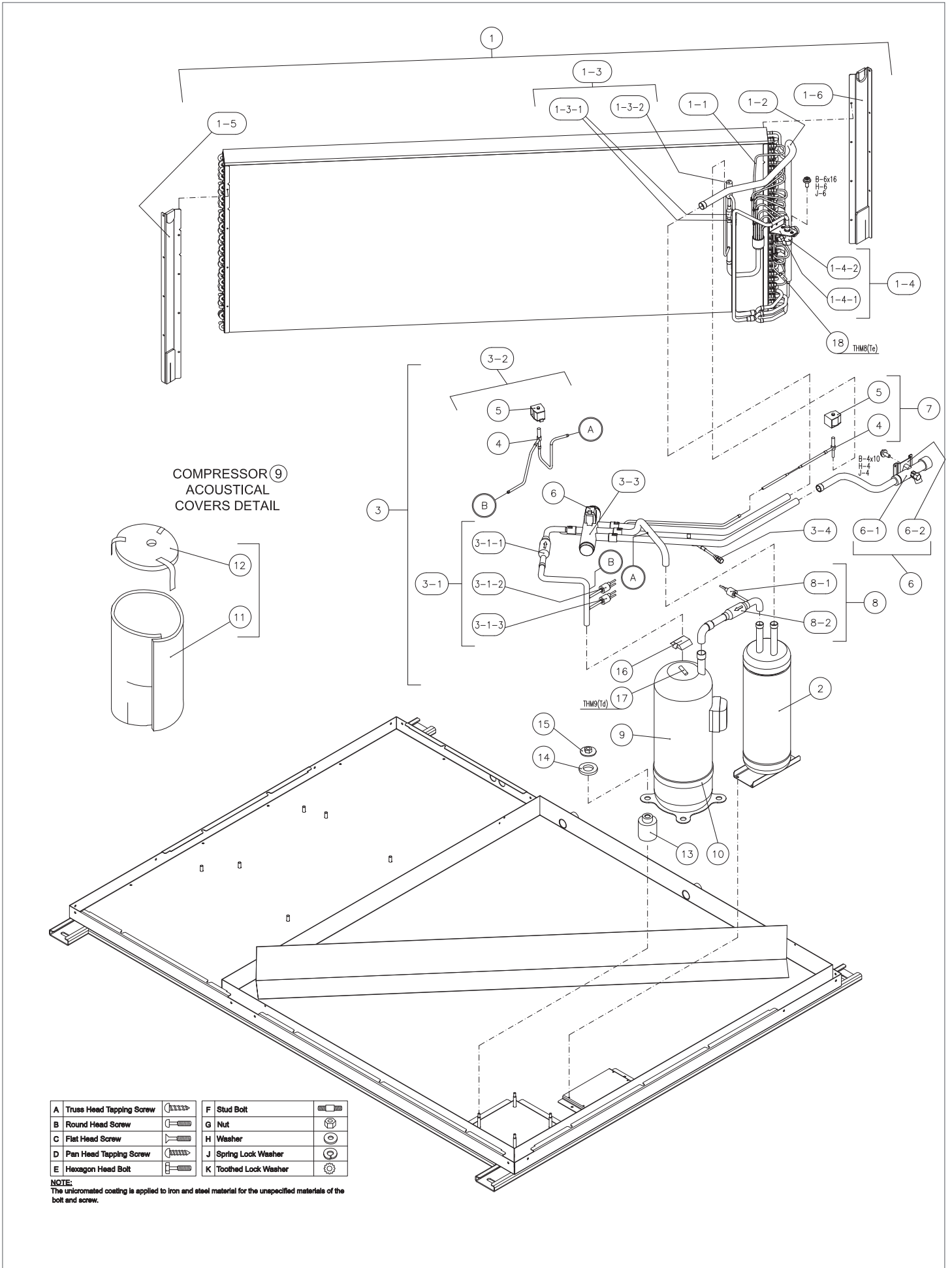


No.	DESCRIPTION	DWG No.	PART No.	PRODUCT CODE					REMARKS
				MODEL NAME					
				RASC-4HNPE	RASC-5HNPE	RASC-6HNPE	RASC-8HNPE	RASC-10HNPE	
				7E343107	7E343108	7E343109	7E343110	7E343111	
				Qty	Qty	Qty	Qty	Qty	
1	Foot Assy	XEK38712 A	E04359	1	1	1			Assembly
1	Foot Assy	XEK39008 A	E04384				1	1	Assembly
2	Drain Pan Unit	XEK12440 A	E04360	1	1	1			Assembly
2	Drain Pan Unit	XEK12441 A	E04385				1	1	Assembly
3	DP Grille	XEK24139 B	E04361	1	1	1			Drain pan grille
3	DP Grille	XEK24139 C	E04386				1	1	Drain pan grille
4	Bottom Base Assembly	XEK12436 A	E04362	1	1	1			Assembly (Plate + Insulations + 1)
4	Bottom Base Assembly	XEK12437 A	E04387				1	1	Assembly (Plate + Insulations + 1)
5	E-Box Cover Unit	XEK38758 A	E04363	1	1	1			Assembly
5	E-Box Cover Unit	XEK38759 A	E04388				1	1	Assembly
6	Right Cover Assy	XEK38763 A	E04364	1	1	1			Assembly (Plate + Insulations)
6	Right Cover Assy	XEK39107 A	E04389				1	1	Assembly (Plate + Insulations)
7	Right Cover Assy	XEK38763 B	E04365	1	1	1			Assembly (Plate + Insulations)
7	Right Cover Assy	XEK39107 B	E04390				1	1	Assembly (Plate + Insulations)
8	Back Cover Assy	XEK38766 A	E04366	1	1	1			Assembly (Plate + Insulations)
8	Back Cover Assy	XEK38767 A	E04391				1	1	Assembly (Plate + Insulations)
9	Fan Duct Sub Assy	XEK38837 A	E04367	1	1	1			Assembly (Pate + Insulations)
9	Fan Duct Sub Assy	XEK38837 C	E04392				1	1	Assembly (Pate + Insulations)
10	Fan Duct Sub Assy	XEK38837 B	E04368	1	1	1			Assembly (Pate + Insulations)
10	Fan Duct Sub Assy	XEK38837 D	E04393				1	1	Assembly (Pate + Insulations)
11	Rubber Bushing	17D12070 D	E04408	2	2	2	2	2	
12	Protection Pipe Stay Assy	XEK38762 A	E04409	1	1	1	2	2	Assembly (Pate + Insulations)
13	Handle	XEK37816 A	E03723	4	4	4	4	4	
14	Right Corner Assy	XEK38744 A	E04369	1	1	1			Assembly (Pate + Insulations)
14	Right Corner Assy	XEK38745 A	E04394				1	1	Assembly (Pate + Insulations)
15	Front Cover Assy	XEK38746 A	E04370	1	1	1			Assembly (Pate + Insulations)
15	Front Cover Assy	XEK38747 A	E04395				1	1	Assembly (Pate + Insulations)
16	Left Corner Assy	XEK38748 A	E04371	1	1	1			Assembly (Pate + Insulations)
16	Left Corner Assy	XEK38749 A	E04396				1	1	Assembly (Pate + Insulations)
17	Left Back Corner Assy	XEK38750 A	E04372	1	1	1			Assembly (Pate + Insulations)
17	Left Back Corner Assy	XEK38751 A	E04397				1	1	Assembly (Pate + Insulations)
18	Inlet Air Cover Assy	XEK38752 A	E04373	1	1	1			Assembly (Plate + Insulations)
18	Inlet Air Cover Assy	XEK38753 A	E04398				1	1	Assembly (Plate + Insulations)
19	Outlet Air Cover Assy	XEK38754 A	E04374	1	1	1			Assembly (Plate + Insulations)
19	Outlet Air Frame Assy	XEK38755 A	E04399				1	1	Assembly (Plate + Insulations)
20	Left Cover Assy	XEK38756 A	E04375	1	1	1			Assembly (Plate + Insulations)
20	Left Cover Assy	XEK38757 A	E04400				1	1	Assembly (Plate + Insulations)
21	Upper Cover Assy	XEK38760 A	E04376	1	1	1			Assembly (Plate + Insulations)
21	Upper Cover Assy	XEK38761 A	E04401				1	1	Assembly (Plate + Insulations)
22	S-Valve Protection Stay	XEK25115 A	E04377	1	1	1			
22	S-Valve Protection Stay	XEK25097 A	E04402				1	1	
23	Inlet Protector Net	XEK38672 A	E04378	1	1	1			Inlet
23	Inlet Protector Net	XEK38672 B	E04403				1	1	Inlet
24	Outlet Protector Net	XEK38673 A	E04379	1	1	1			Outlet
24	Outlet Protector Net	XEK38673 B	E04404				1	1	Outlet
25	Clamp	XEK38685 A	E04410	10	10	10	12	12	For Inlet and Outlet Protector Net
26	Float Switch	17B24618 A	E01038	1	1	1	1	1	
27	Float Switch Stay	XEK35650 A	E02681	1	1	1	1	1	
28	Plate Valve Assy	XEK38834 A	E04411	1	1	1	1	1	Assembly (Plate + Insulations)
29	Right Back Corner Assy	XEK38764 A	E04380	1	1	1			Assembly (Plate + Insulations)
29	Right Back Corner Assy	XEK38765 A	E04405				1	1	Assembly (Plate + Insulations)
30	Fan Support	XEK38690 A	E04382	1	1	1			
30	Fan Support	XEK38704 A	E04406				1	1	
31	Fan Support	XEK38690 B	E04383	1	1	1			
31	Fan Support	XEK38704 B	E04407				1	1	
32	Washer	01VF0800	E04466	4	4	4	4	4	
33	Washer	02VL0800	E04467	4	4	4	4	4	
34	Nut	01RB0800	E04468	4	4	4	4	4	
35	Fan Motor Assy	XEK12415 A	E04381	1	1	1			Assembly (35-1 + 35-2 + 35-3)
35	Fan Motor Assy	XEK12163 A	E03636				1	1	Assembly (35-1 + 35-2 + 35-3)
35-1	Motor	XEK39165 A	E04475	1	1	1			
35-1	Motor	XEK39166 A	E04476				1	1	

No.	DESCRIPTION	DWG No.	PART No.	MODEL NAME					REMARKS
				RASC-4HNPE	RASC-5HNPE	RASC-6HNPE	RASC-8HNPE	RASC-10HNPE	
				PRODUCT CODE					
				7E343107	7E343108	7E343109	7E343110	7E343111	
35-2	Runner	XEK39167 A	E04477	1	1	1			
35-2	Runner	XEK39168 A	E04478				1	1	
35-3	Motor Support	XEK39169 A	E04479	1	1	1			
35-3	Motor Support	XEK39170 A	E04480				1	1	
36	Thermistor	XEK38844 C	E04470	1	1	1			For outdoor ambient temperature. THM7 (Ta)
36	Thermistor	XEK38844 F	E04471				1	1	For outdoor ambient temperature. THM7 (Ta)



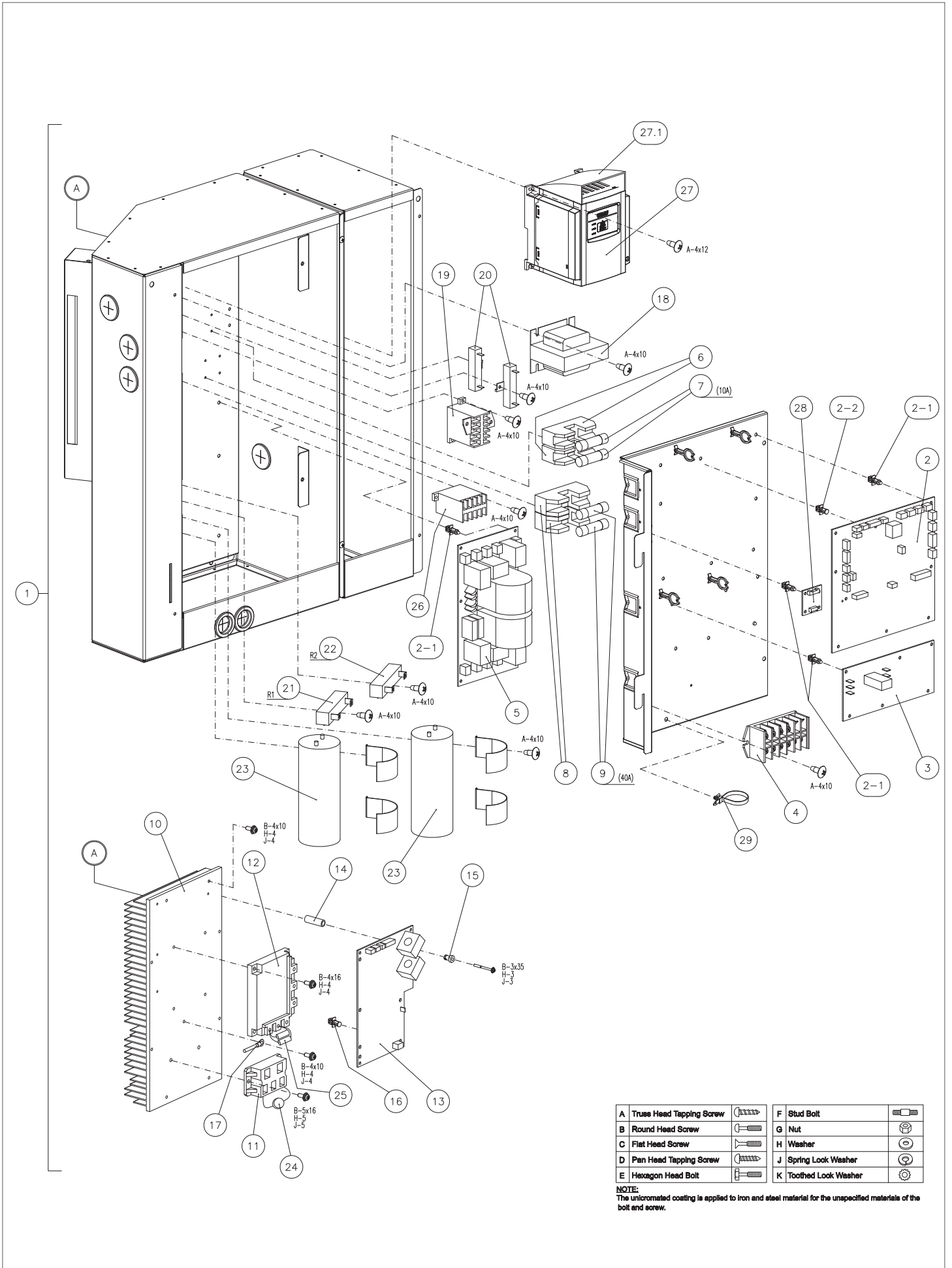
No.	DESCRIPTION	DWG No.	PART No.	PRODUCT CODE		REMARKS
				MODEL NAME	MODEL NAME	
				RASC-8HNPE	RASC-10HNPE	
1	Condenser Assembly	XEK12421 A	E04434	1		Assembly (Heat exchanger + 1-1 + 1-2 + 1-3 + 1-4 + 1-5 + 1-6)
1	Condenser Assembly	XEK12421 B	E04435		1	Assembly (Heat exchanger + 1-1 + 1-2 + 1-3 + 1-4 + 1-5 + 1-6)
1-1	Header L Assy	XEK25079 A	E04436	1	1	Assembly
1-2	Header G Assy	XEK25081 A	E04437	1	1	Assembly
1-3	EVO Assy	XEK25086 A	E04438	1	1	Assembly
1-3-1	Strainer	17G56584 B	P26471	2	2	
1-3-2	Expansion Valve	17C78181 A	P26008	1	1	
1-4	Liquid Valve Assy	XEK25087 A	E04439	1		Assembly
1-4	Liquid Valve Assy	XEK25087 B	E04440		1	Assembly
1-4-1	Stay Valve Liquid	XEK35143 A	E04427	1	1	
1-4-2	Stop Valve	17F06326 A	P28918	1		For liquid line 3/8
1-4-2	Stop Valve	17F06327 A	E03449		1	For liquid line 1/2
1-5	Condenser Stay 1 Assy	XEK39057 A	E04442	1	1	Assembly (Plate + Insulations + Rubber Bushing)
1-6	Condenser Stay 2 Assy	XEK39058 A	E04443	1	1	Assembly (Plate + Insulations + Rubber Bushing)
2	Accumulator	XEK25026 B	E04452	1	1	Assembly
3	4-Way Valve Assy	XEK25124 A	E04444	1	1	Assembly
3-1	D Pipe Assy	XEK25085 A	E04445	1	1	Assembly
3-1-1	Check Valve	17F04056 A	P28640	1	1	
3-1-2	Harness P-Sensor	XEK38849 B	E04446	1	1	PSC (Control)
3-1-3	Pressure SW	XEK22551 A	P25043	1	1	PSH (High)
3-2	SVA Assy	XEK38598 A	E04447	1	1	Assembly
3-3	4 Way Valve	17C73725 A	P26337	1	1	RVR
3-4	Check Ja	17C75461 A	E01160	1	1	
4	Body	17C77098 A	P25246	2	2	SVA
5	Coil 20	17C64850 B	P25454	2	2	Coil for Solenoid Valve
6	Gas Valve Assy	XEK38743 A	E04448	1	1	Assembly
6-1	Stop Valve	17F06816 A	P28926	1	1	For gas line 3/4
6-2	Gas Valve Stay	XEK38619 A	E04425	1	1	
7	SVC Assy	XEK38645 A	E04450	1	1	
8	Pipe S Assy	XEK38642 A	E04451	1	1	Assembly
8-1	Pressure SW	XEK24355 A	E03342	1	1	
8-2	Strainer	17G55723 A	P24399	1	1	
9	Compressor	17F10195 A	E03450	1		Comp DA50PHD-D1SE2
9	Compressor	17F10196 A	E03451		1	Comp DA65PHD-D1SE2
10	Crankcase Heater	17B34124 E	E03452	1	1	240V-40.8W
11	Acoustical Cover	XEK25143 B	E04453	1	1	
12	Acoustical Cover Cap	XEK38781 B	E04454	1	1	Upper Cap
13	Vibration Absorber	17D21147 B	P28639	4	4	
14	Vibration Absorber	17D21207 A	P13109	4	4	
15	Special Nut	17D49475 A	E02000	4	4	
16	Rubber Cap	17B29767 A	P24397	1	1	
17	Thermistor	XEK38844 E	E04455	1	1	For Discharge Gas Temp. THM9 (Td)
18	Thermistor	XEK38844 D	E04456	1	1	For Pipe Temp., THM8 (Te)



A	Truss Head Tapping Screw	F	Stud Bolt
B	Round Head Screw	G	Nut
C	Flat Head Screw	H	Washer
D	Pan Head Tapping Screw	J	Spring Lock Washer
E	Hexagon Head Bolt	K	Toothed Lock Washer

NOTE:
The unchromated coating is applied to iron and steel material for the unspecified materials of the bolt and screw.

No.	DESCRIPTION	DWG No.	PART No.	PRODUCT CODE		REMARKS
				MODEL NAME	MODEL NAME	
				RASC-8HNPE	RASC-10HNPE	
				7E343110	7E343111	
1	Electrical Box	XEK01434 A	E04462	1		Assembly (Components + Harness + Steel Plates + Insulations)
1	Electrical Box	XEK01434 B	E04463	1	1	Assembly (Components + Harness + Steel Plates + Insulations)
2	Printed Circuit Board	XEK38783 A	E04346	1	1	PCB1, PO101B Assy
2-1	Spacer	XEK34315 A	E01789	22	22	For PCB1, PCB3, Noise Filter and Fan Adapter
2-2	Push Spacer	XEK34316 A	P21189	2	2	For PCB1
3	Printed Circuit Board	17B44179 A	E03440	1	1	PCB3, PO121A Assy
4	Terminal Board	XEK20967 A	E00705	1	1	TB
5	Noise Filter	17B41798 A	P28595	1	1	NF
6	Fuse Holder	17C66740 A	E01015	2	2	
7	Fuse	XEK32373 B	E00809	2	2	10A
8	Fuse Holder	17C68732 A	P24729	2	2	
9	Fuse	XEK32372 B	P24776	2	2	40A
10	Inverter Fin	17C85114 A	E02042	1	1	
11	Diode M	17B40192 A	P27214	1	1	DM
12	Transistor M	17B37211 A	P27215	1	1	
13	Printed Circuit Board	17B41615 B	E03160	1	1	PCB2, PV093 Assy
14	Collar	17G15233 B	P20986	4	4	Plastic Material
15	Bush	17G15232 A	P26098	4	4	Plastic Material
16	Push Spacer	XEK34316 B	E01617	1	1	For PCB2
17	Thermistor	17B33964 B	P26474	1	1	Fin thermistor
18	Reactor Unit	XEK36054 B	E03443	1	1	DCL
19	MG SW	17B28277 B	P24721	1	1	CMC
20	Resister	17B33595 A	P26062	2	2	RS1, RS2
21	Resistor	17B41920 A	P28599	1	1	R1
22	Resistor	17B41920 B	P28600	1	1	R2
23	Capacitor	17B37350 B	P28597	2	2	CB1, CB2 (450V, 4700µF)
24	Noise Suppressor	17G85788 A	E02121	1	1	ZNR Assy
25	Capacitor Assy	17H15163 A	E03704	1	1	HRN PC301
26	Magnetic Contactor	17B26115 D	E01873	1	1	
27	VFD	XEK25138 D	E04464	1	1	Variable Frequency Driver
27.1	VFD Top Cover	XEK39024 A	E04474	1	1	
28	Fan Adapter	XEK25042 A	E04461	1	1	
29	Clamp	XEK31150 A	E02012	1	1	



A	Truss Head Tapping Screw		F	Stud Bolt	
B	Round Head Screw		G	Nut	
C	Flat Head Screw		H	Washer	
D	Pan Head Tapping Screw		J	Spring Lock Washer	
E	Hexagon Head Bolt		K	Toothed Lock Washer	

NOTE:
The unchromated coating is applied to iron and steel material for the unspecified materials of the bolt and screw.