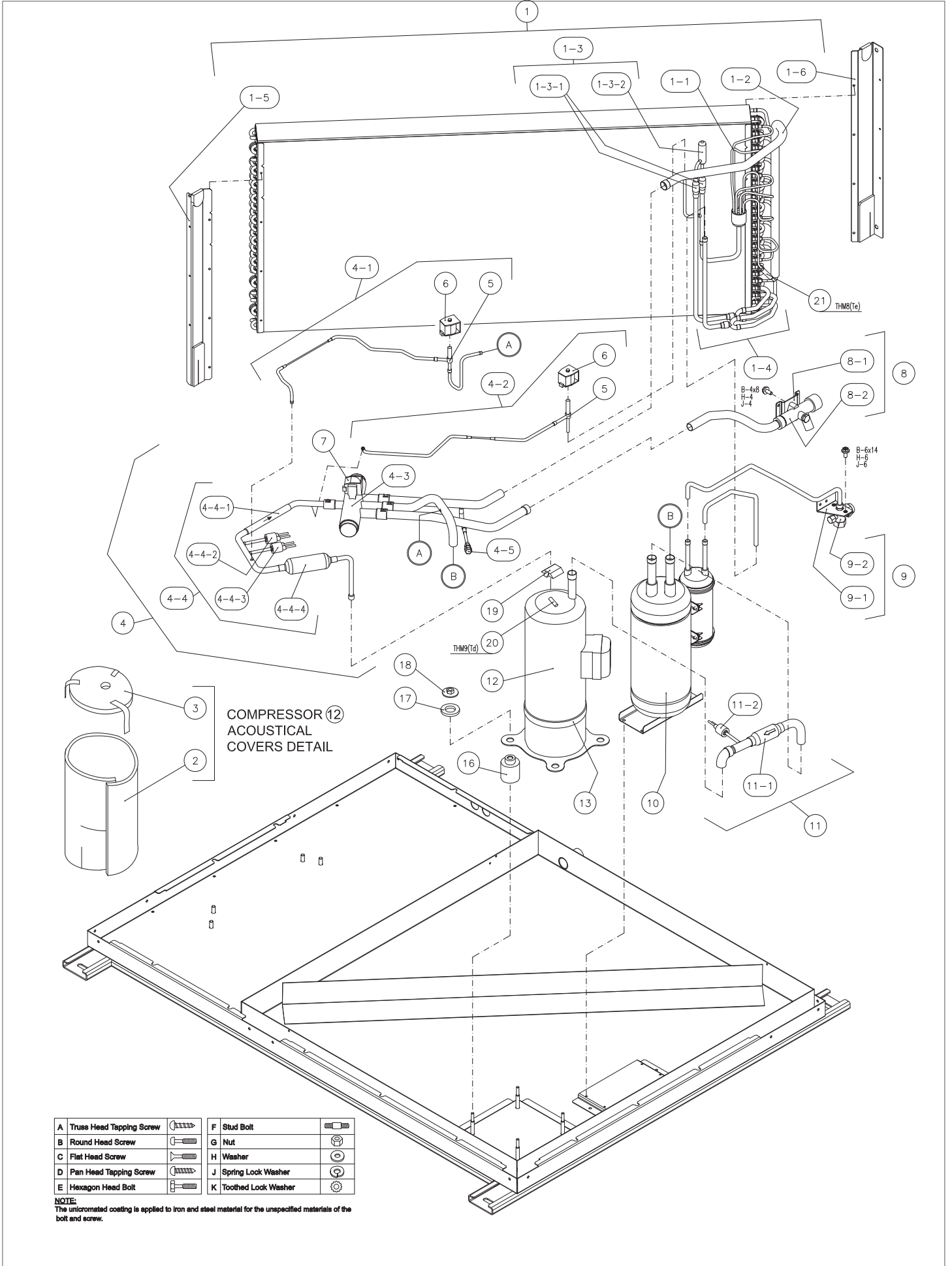
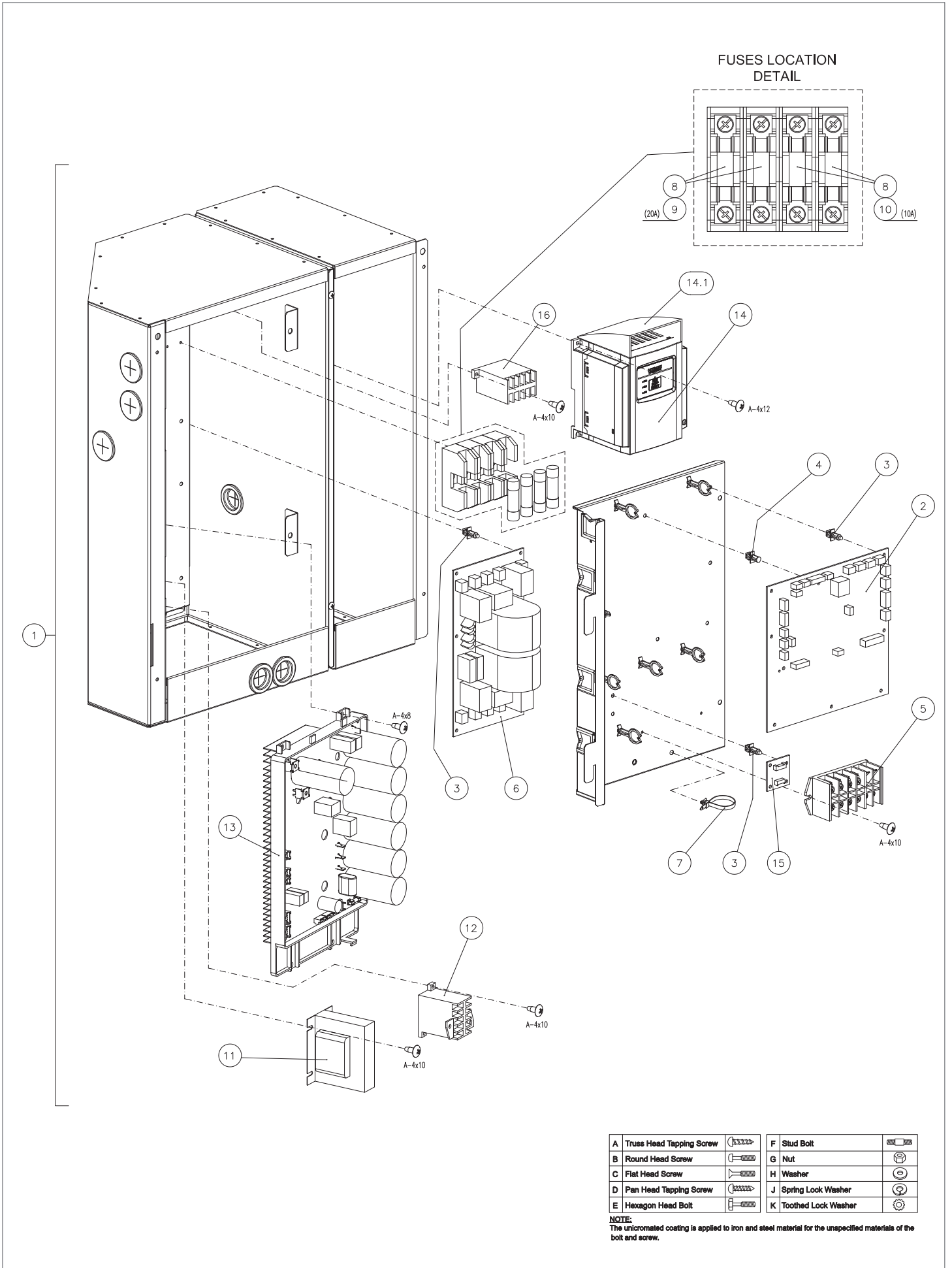


No.	DESCRIPTION	DWG No.	PART No.	PRODUCT CODE					REMARKS
				MODEL NAME		7E343107			
				RASC-4HNPE	RASC-5HNPE	RASC-6HNPE	RASC-8HNPE	RASC-10HNPE	
1	Foot Assy	XEK38712 A	E04359	1	1	1			Assembly
1	Foot Assy	XEK39008 A	E04384				1	1	Assembly
2	Drain Pan Unit	XEK12440 A	E04360	1	1	1			Assembly
2	Drain Pan Unit	XEK12441 A	E04385				1	1	Assembly
3	DP Grille	XEK24139 B	E04361	1	1	1			Drain pan grille
3	DP Grille	XEK24139 C	E04386				1	1	Drain pan grille
4	Bottom Base Assembly	XEK12436 A	E04362	1	1	1			Assembly (Plate + Insulations + 1)
4	Bottom Base Assembly	XEK12437 A	E04387				1	1	Assembly (Plate + Insulations + 1)
5	E-Box Cover Unit	XEK38758 A	E04363	1	1	1			Assembly
5	E-Box Cover Unit	XEK38759 A	E04388				1	1	Assembly
6	Right Cover Assy	XEK38763 A	E04364	1	1	1			Assembly (Plate + Insulations)
6	Right Cover Assy	XEK39107 A	E04389				1	1	Assembly (Plate + Insulations)
7	Right Cover Assy	XEK38763 B	E04365	1	1	1			Assembly (Plate + Insulations)
7	Right Cover Assy	XEK39107 B	E04390				1	1	Assembly (Plate + Insulations)
8	Back Cover Assy	XEK38766 A	E04366	1	1	1			Assembly (Plate + Insulations)
8	Back Cover Assy	XEK38767 A	E04391				1	1	Assembly (Plate + Insulations)
9	Fan Duct Sub Assy	XEK38837 A	E04367	1	1	1			Assembly (Plate + Insulations)
9	Fan Duct Sub Assy	XEK38837 C	E04392				1	1	Assembly (Plate + Insulations)
10	Fan Duct Sub Assy	XEK38837 B	E04368	1	1	1			Assembly (Plate + Insulations)
10	Fan Duct Sub Assy	XEK38837 D	E04393				1	1	Assembly (Plate + Insulations)
11	Rubber Bushing	17D12070 D	E04408	2	2	2	2	2	
12	Protection Pipe Stay Assy	XEK38762 A	E04409	1	1	1	2	2	Assembly (Plate + Insulations)
13	Handle	XEK37816 A	E03723	4	4	4	4	4	
14	Right Corner Assy	XEK38744 A	E04369	1	1	1			Assembly (Plate + Insulations)
14	Right Corner Assy	XEK38745 A	E04394				1	1	Assembly (Plate + Insulations)
15	Front Cover Assy	XEK38746 A	E04370	1	1	1			Assembly (Plate + Insulations)
15	Front Cover Assy	XEK38747 A	E04395				1	1	Assembly (Plate + Insulations)
16	Left Corner Assy	XEK38748 A	E04371	1	1	1			Assembly (Plate + Insulations)
16	Left Corner Assy	XEK38749 A	E04396				1	1	Assembly (Plate + Insulations)
17	Left Back Corner Assy	XEK38750 A	E04372	1	1	1			Assembly (Plate + Insulations)
17	Left Back Corner Assy.	XEK38751 A	E04397				1	1	Assembly (Plate + Insulations)
18	Inlet Air Cover Assy	XEK38752 A	E04373	1	1	1			Assembly (Plate + Insulations)
18	Inlet Air Cover Assy	XEK38753 A	E04398				1	1	Assembly (Plate + Insulations)
19	Outlet Air Cover Assy	XEK38754 A	E04374	1	1	1			Assembly (Plate + Insulations)
19	Outlet Air Frame Assy	XEK38755 A	E04399				1	1	Assembly (Plate + Insulations)
20	Left Cover Assy	XEK38756 A	E04375	1	1	1			Assembly (Plate + Insulations)
20	Left Cover Assy	XEK38757 A	E04400				1	1	Assembly (Plate + Insulations)
21	Upper Cover Assy	XEK38760 A	E04376	1	1	1			Assembly (Plate + Insulations)
21	Upper Cover Assy	XEK38761 A	E04401				1	1	Assembly (Plate + Insulations)
22	S-Valve Protection Stay	XEK25115 A	E04377	1	1	1			
22	S-Valve Protection Stay	XEK25097 A	E04402				1	1	
23	Inlet Protector Net	XEK38672 A	E04378	1	1	1			Inlet
23	Inlet Protector Net	XEK38672 B	E04403				1	1	Inlet
24	Outlet Protector Net	XEK38673 A	E04379	1	1	1			Outlet
24	Outlet Protector Net	XEK38673 B	E04404				1	1	Outlet
25	Clamp	XEK38685 A	E04410	10	10	10	12	12	For Inlet and Outlet Protector Net
26	Float Switch	17B24618 A	E01038	1	1	1	1	1	
27	Float Switch Stay	XEK35650 A	E02681	1	1	1	1	1	
28	Plate Valve Assy	XEK38834 A	E04411	1	1	1	1	1	Assembly (Plate + Insulations)
29	Right Back Corner Assy	XEK38764 A	E04380	1	1	1			Assembly (Plate + Insulations)
29	Right Back Corner Assy	XEK38765 A	E04405				1	1	Assembly (Plate + Insulations)
30	Fan Support	XEK38690 A	E04382	1	1	1			
30	Fan Support	XEK38704 A	E04406				1	1	
31	Fan Support	XEK38690 B	E04383	1	1	1			
31	Fan Support	XEK38704 B	E04407				1	1	
32	Washer	01VF0800	E04466	4	4	4	4	4	
33	Washer	02VL0800	E04467	4	4	4	4	4	
34	Nut	01RB0800	E04468	4	4	4	4	4	
35	Fan Motor Assy	XEK12415 A	E04381	1	1	1			Assembly (35-1 + 35-2 + 35-3)
35	Fan Motor Assy	XEK12163 A	E03636				1	1	Assembly (35-1 + 35-2 + 35-3)
35-1	Motor	XEK39165 A	E04475	1	1	1			
35-1	Motor	XEK39166 A	E04476				1	1	

No.	DESCRIPTION	DWG No.	PART No.	MODEL NAME					REMARKS
				RASC-4HNPE	RASC-5HNPE	RASC-6HNPE	RASC-8HNPE	RASC-10HNPE	
				PRODUCT CODE					
				7E343107	7E343108	7E343109	7E343110	7E343111	
35-2	Runner	XEK39167 A	E04477	1	1	1			
35-2	Runner	XEK39168 A	E04478				1	1	
35-3	Motor Support	XEK39169 A	E04479	1	1	1			
35-3	Motor Support	XEK39170 A	E04480				1	1	
36	Thermistor	XEK38844 C	E04470	1	1	1			For outdoor ambient temperature. THM7 (Ta)
36	Thermistor	XEK38844 F	E04471				1	1	For outdoor ambient temperature. THM7 (Ta)



No.	DESCRIPTION	DWG No.	PART No.	MODEL NAME			REMARKS
				RASC-4HNPE	RASC-5HNPE	RASC-6HNPE	
				PRODUCT CODE			
				7E343107	7E343108	7E343109	
				Qty	Qty	Qty	
1	Condenser Assembly	XEK12426 A	E04412	1	1	1	Assembly (Heat exchanger + 1-1 + 1-2 + 1-3 + 1-4 + 1-5 + 1-6)
1-1	Header L Assy	XEK25078 A	E04413	1	1	1	Assembly
1-2	Header G Assy	XEK25080 A	E04414	1	1	1	Assembly
1-3	EVO Assy	XEK25105 A	E04415	1	1	1	Assembly
1-3-1	Strainer	17G62701 B	P25037	2	2	2	
1-3-2	Expansion Valve	17F05654 A	P28614	1	1	1	EVO
1-4	Sub Cooler Pipe	XEK25106 A	E04416	1	1	1	Assembly
1-5	Condenser Stay 1 Assy	XEK39055 A	E04417	1	1	1	Assembly (Plate + Insulations + Rubber Bushing)
1-6	Condenser Stay 2 Assy	XEK39056 A	E04418	1	1	1	Assembly (Plate + Insulations + Rubber Bushing)
2	Acoustical Cover	XEK25143 A	E04430	1	1	1	
3	Acoustical Cover	XEK38781 A	E04431	1	1	1	Upper Cover
4	4-Way Valve Assy.	XEK25154 A	E04419	1	1	1	Assembly
4-1	SVA Assy	XEK38776 A	E04420	1	1	1	Assembly
4-2	SVC Assy	XEK38777 A	E04421	1	1	1	Assembly
4-3	4 Way Valve	17C73725 A	P26337	1	1	1	RVR
4-4	D Pipe Assy	XEK25139 A	E04422	1	1	1	Assembly
4-4-1	Check Valve	17C84659 A	P10777	1	1	1	
4-4-2	Harness P-Sensor	XEK38849 A	E04423	1	1	1	PSC (Control)
4-4-3	Pressure SW	XEK22551 A	P25043	1	1	1	PSH (High)
4-4-4	Silencer	17H05922 A	P28629	1	1	1	
4-5	Check JA	17C75461 A	E01160	1	1	1	
5	Body	17C77098 A	P25246	2	2	2	SVA / SVC
6	Coil 20	17C64850 B	P25454	2	2	2	Coil for Solenoid Valve
7	Coil	17F07262 A	P28921	1	1	1	Coil for 4-Way Valve
8	Gas Valve Assy	XEK38778 A	E04424	1	1	1	Assembly
8-1	Gas Valve Stay	XEK38619 A	E04425	1	1	1	
8-2	Stop Valve	17F06815 A	P28924	1	1	1	For gas line 5/8
9	Liquid Valve Assy	XEK25140 A	E04426	1	1	1	Assembly
9-1	Stay Valve Liquid	XEK35143 A	E04427	1	1	1	
9-2	Stop Valve	17F06326 A	P28918	1	1	1	For liquid line 3/8
10	Tank Unit	XEK38734 A	E04428	1	1	1	Assembly (Accumulator + Liquid Tank)
11	Pipe S2 Assy	XEK38665 A	E04429	1	1	1	Assembly
11-1	Strainer	17G55723 A	P24399	1	1	1	
11-2	Pressure SW	XEK24355 A	E03342	1	1	1	For Low Pressure
12	Compressor	17F09654 A	E03352	1	1	1	E402HHD-36D2
13	Crankcase Heater	17F05573 B	P29160	1	1	1	240V-52W
16	Vibration Absorber	17D21147 B	P28639	4	4	4	
17	Vibration Absorber	17D21207 A	P13109	4	4	4	
18	Special Nut	17D49475 A	E02000	4	4	4	
19	Rubber Cap	17B29767 A	P24397	1	1	1	
20	Thermistor	XEK38844 B	E04432	1	1	1	For Discharge Gas Temp. THM9 (Td)
21	Thermistor	XEK38844 A	E04433	1	1	1	For Pipe Temp., THM8 (Te)



No.	DESCRIPTION	DWG No.	PART No.	MODEL NAME			REMARKS
				RASC-4HNPE	RASC-5HNPE	RASC-6HNPE	
				PRODUCT CODE			
				RASC-4HNPE	RASC-5HNPE	RASC-6HNPE	
				7E343107	7E343108	7E343109	
1	Electrical Box	XEK01433 A	E04457	1			Assembly (Components + Harness + Steel Plates + Insulations)
1	Electrical Box	XEK01433 B	E04458		1		Assembly (Components + Harness + Steel Plates + Insulations)
1	Electrical Box	XEK01433 C	E04459			1	Assembly (Components + Harness + Steel Plates + Insulations)
2	Printed Circuit Board	XEK38783 A	E04346	1	1	1	PCB1, PO101B Assy
3	Spacer	XEK34315 A	E01789	16	16	16	For PCB, Fan Adapter and Noise Filter
4	Push Spacer	XEK34316 A	P21189	2	2	2	For PCB1
5	Terminal Board	XEK20967 A	E00705	1	1	1	TB
6	Noise Filter	17B41798 A	P28595	1	1	1	NF
7	Clamp	XEK31150 A	E02012	1	1	1	
8	Fuse Holder	17C66740 A	E01015	4	4	4	
9	Fuse	XEK32373 D	E00810	2	2	2	20A
10	Fuse	XEK32373 B	E00809	2	2	2	10A
11	Reactor Unit	XEK36243 C	E03374	1	1	1	
12	MG SW	17B28277 B	P24721	1	1	1	Fuji Electric,FC-0/SP
13	Inverter Fin Assy	17F04353 B	E03376	1	1	1	
14	VFD	XEK25138 B	E04460	1	1	1	Variable Frequency Driver
14.1	VFD Top Cover	XEK39024 A	E04474	1	1	1	
15	Fan Adapter	XEK25042 A	E04461	1	1	1	
16	Magnetic Contactor	17B26115 D	E01873	1	1	1	For Fan