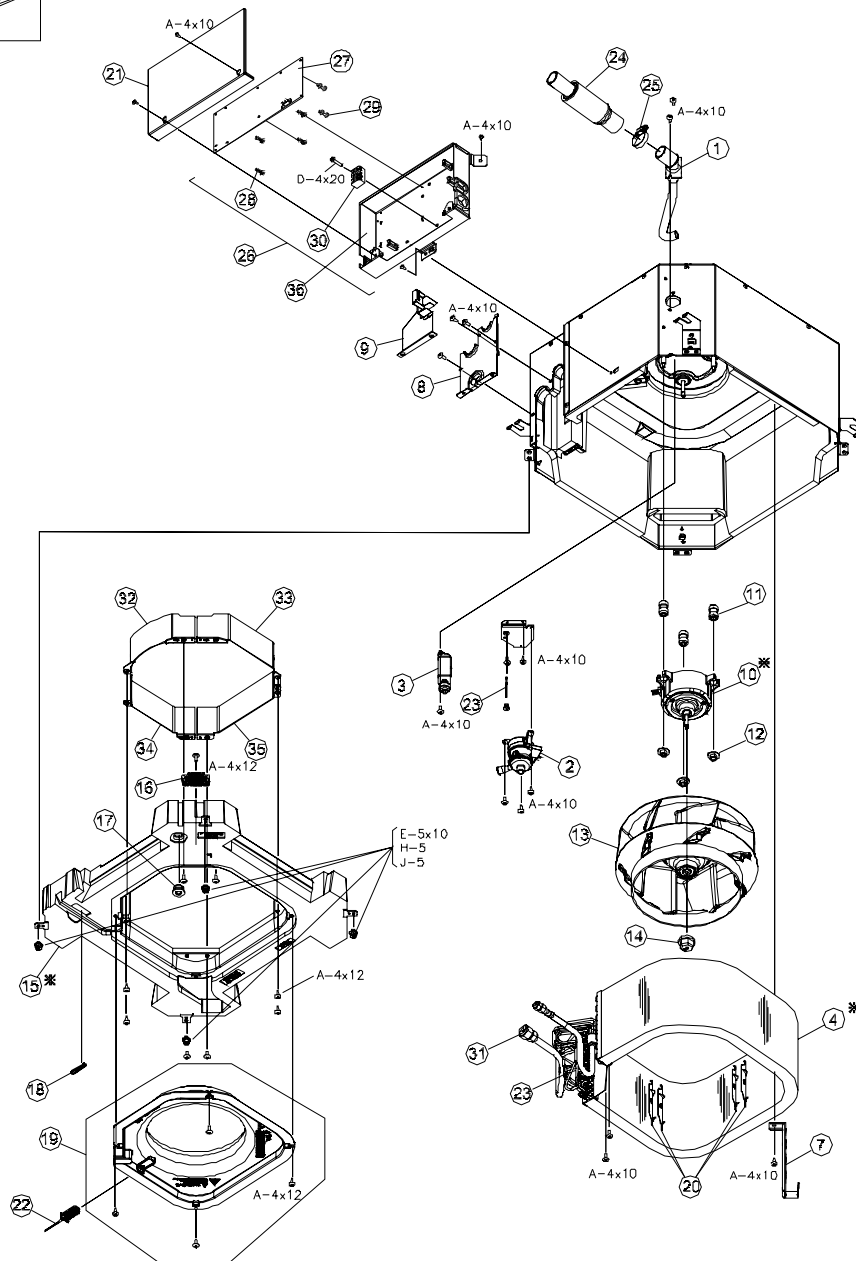
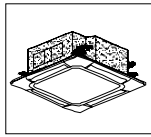


No.	DESCRIPTION	DWG No.	PART No.	PRODUCT CODE				REMARKS
				MODEL NAME	7E412114	7E412115	7E412116	
				RAI-25RPE	RAI-35RPE	RAI-50RPE	RAI-60RPE	
1	Drain Hose Assy	17H28295 A	P30724	Qty	Qty	Qty	Qty	
2	Pump Assy	XEK50640 A	E05528	1	1	1	1	
3	Float Switch Assy	X17B49166 B	E06200	1	1	1	1	Drain Discharge Mechanism
4	Heat Exchanger Assy	XEK12900 B	E06243	1	1			No.31 Flare Nut x 1
4	Heat Exchanger Assy	XEK12900 A	E05529			1	1	No.31 Flare Nut x 1
7	Support Plate	17H28059 B	E05386	1	1	1	1	
8	Pipe Cover Assy	17H28366 A	E05387	1	1	1	1	
9	Wire Cover	17H28439 A	E05388	1	1	1	1	
10	Fan Motor	17B47346 A	P30733	1	1	1	1	No.11 Vibration Absorber x 3
11	Vibration Absorber	17H23117 A	P30526	3	3	3	3	
12	Nut	17H12116 A	P28899	3	3	3	3	
13	Turbo Fan	17A25035 B	E05351	1	1	1	1	
14	Nut	17F18639 A	P30487	1	1	1	1	
15	Drain Pan Assy	XEK12754 A	E05338	1	1	1	1	No.16 Antibacterial Agent Assy x 1, No.17 Rubber Cap x 1
16	Antibacterial Agent Assy	17E26752 A	P30499	1	1	1	1	
17	Rubber Cap	17G53386 A	E05782	1	1	1	1	
18	Clamp	17F03802 A	E05539	1	1	1	1	
19	Bell Mouth Assy	XEK50039 D	E05530	1	1	1	1	
20	Guide Vane	17F16468 A	P30536	4	4	4	4	
21	E-Box Cover Assy	XEK50646 C	E06244	1	1	1	1	
22	Thermistor Assy	XEK50040 B	E05532	1	1	1	1	for Air Inlet, THM1
23	Thermistor	17B42636 C	P29764	1	1	1	1	for Freeze Protection, THM3
24	Hose	17C78348 A	P25911	1	1	1	1	
25	Hose Clip	XEK31074 B	E05540	1	1	1	1	
26	Electric Wiring Diagram	XEK12901 E	E06245	1				Assy.Includes Plates, Components and Harness
26	Electric Wiring Diagram	XEK12901 F	E06246		1			Assy.Includes Plates, Components and Harness
26	Electric Wiring Diagram	XEK12901 G	E06247			1		Assy.Includes Plates, Components and Harness
26	Electric Wiring Diagram	XEK12901 H	E06248				1	Assy.Includes Plates, Components and Harness
27	PCB Additional Work	XEK50642 E	E06249	1				PCB1
27	PCB Additional Work	XEK50642 F	E06250		1			PCB1
27	PCB Additional Work	XEK50642 G	E06251			1		PCB1
27	PCB Additional Work	XEK50642 H	E06252				1	PCB1

No.	DESCRIPTION	DWG No.	PART No.	PRODUCT CODE				REMARKS	
				MODEL NAME	7E412114	7E412115	7E412116		7E412117
28	Spacer	XEK30992 D	E05349	RAI-25RPE	4	4	4	4	for PCB1
29	Push Spacer	XEK50629 A	E05537	RAI-35RPE	2	2	2	2	for PCB1
30	Terminal Block	XEK26119 A	E05538	RAI-50RPE	1	1	1	1	TB1
31	Flare Nut	17E20872 B	R4225		1	1			φ9.52
31	Flare Nut	17E20872 C	R4226				1	1	φ12.7
32	Fan Guide 1	17F17266 A	E05354		1	1	1	1	
33	Fan Guide 2	17F17267 A	E05355		1	1	1	1	
34	Fan Guide 3	17F17268 A	E05356		1	1	1	1	
35	Fan Guide 4	17F17269 A	E05357		1	1	1	1	
36	E- Box Unit	XEK26259 A	E05402		1	1	1	1	Includes Plates and Rubber Bush



A	Truss Head Tapping Screw		F	Stud Bolt	
B	Round Head Screw		G	Nut	
C	Flat Head Screw		H	Washer	
D	Pan Head Tapping Screw		J	Spring Lock Washer	
E	Hexagon Head Bolt		K	Toothed Lock Washer	

NOTE:

The uncoated coating is applied to iron and steel material for the unspecified materials of the bolt and screw.