

MODEL: RCD-5.0FSN2 + P-N46DNA
RCD-5.0FSN2 + P-N46DWA

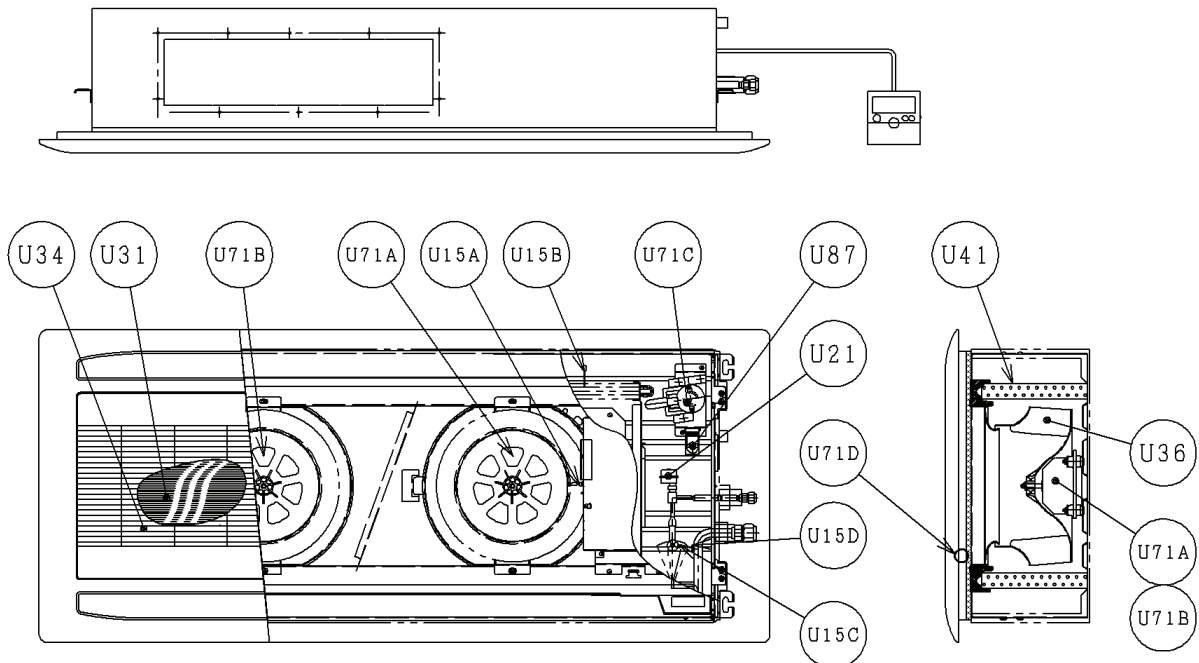
(P0111x-07)

NO.	PART NAME	REPLACEMENT PART		Q'TY PER UNIT	SUMMARY	UNIT VOLTAGE CATEGORY										CATEGORY CODE	VOLTAGE (V)	FREQUENCY(HZ)	PHASES
		DRAW. NO.	ORDER NO.			Z													
U04	FUSE	17C90851A	P27957	1	5A FOR CONTROL CIRCUIT	Z													
U14A	CAPACITOR	17C56791F	P23345	1	4MF 440VAC	Z													
U14B	CAPACITOR	17C56791G	P23346	1	5MF 440VAC	Z											220-240	50	1
U15A	THERMISTOR	17B24544M	P22447	1	THM1 AIR INLET	Z													
U15B	THERMISTOR	17B24544N	P23317	1	THM2 AIR OUTLET	Z													
U15C	THERMISTOR	17C74419G	P22437	1	THM3 FREEZE PROTECTION	Z													
U15D	THERMISTOR	17H05298A	P28301	1	THM5 GAS	Z													
U21	EXP. VALVE	17G57447G	P24986	1		Z													
U31	AIR FILTER	17B25335A	P23338	2	FOR AIR PANEL	Z													
U34	AIR GRILLE	17B25380M	P28465	1	FOR P-N46DNA (WITH AIR FILTER)	Z													
		17B25380G	-		FOR P-N46DWA (WITH AIR FILTER)	Z													
U36	FAN RUNNER	17A10444A	P23316	2		Z													
U41	HEAT EXCHANGER	17B31742B	P25267	1		Z													
U65	PLASTIC MATERIAL	17G37440B	P23408	8		Z													
U71A	MOTOR	17G38973E	P23292	1	FAN MOTOR 55W ELECTRICAL BOX SIDE	Z													
U71B	MOTOR	17G38973F	P23293	1	FAN MOTOR 55W THE OTHER SIDE	Z													
U71C	MOTOR	17C61918A	P22780	1	FOR DRAIN DISCHARGE MECHANISM	Z													
U71D	MOTOR	17G87149A	P27359	1	FOR AIR PANEL SWING MOTOR ASS'Y	Z													
U82	TRANSFORMER	17B26061A	P23449	1		Z													
U85A	PRINTED CIRCUIT BOARD	17G87759E	P27277	1	MAIN PCB	Z													
U85B	PRINTED CIRCUIT BOARD	17B34589A	P26262	1	FOR NOISE PROTECTION	Z													
U85C	PRINTED CIRCUIT BOARD	17G34856C	P23448	1	PULSE WIDTH MODULATION	Z													
U87	FLOAT SW	17G34946A	P22428	1		Z													

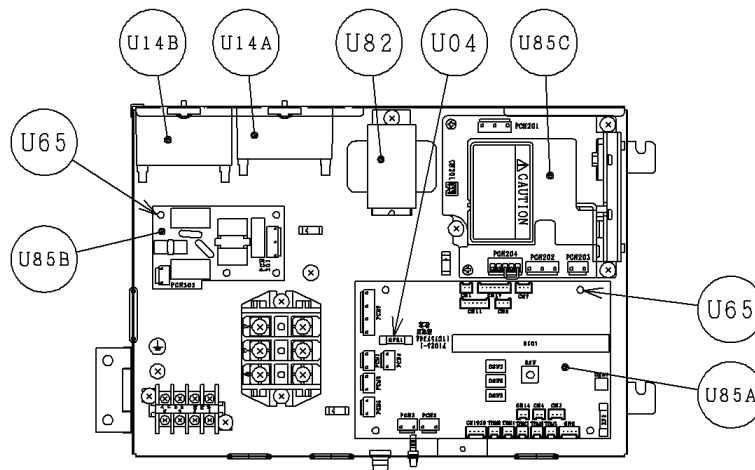
Notes:
 1. Refer to page D-RCD-5.0FSN2-Z for the location of the listed parts.
 2. The replacement part drawing number marked "*" is different from that of the unit part. Change the setting for this unit, if required.

Location of Spare Parts in The Air Panel (Optional)

MODEL: RCD-4.0FSN2
RCD-5.0FSN2
and
P-N46DNA
P-N46DWA



Location of Electrical Equipment in The Electrical Box



D-RCD-4.0FSN2-Z, D-RCD-5.0FSN2-Z