

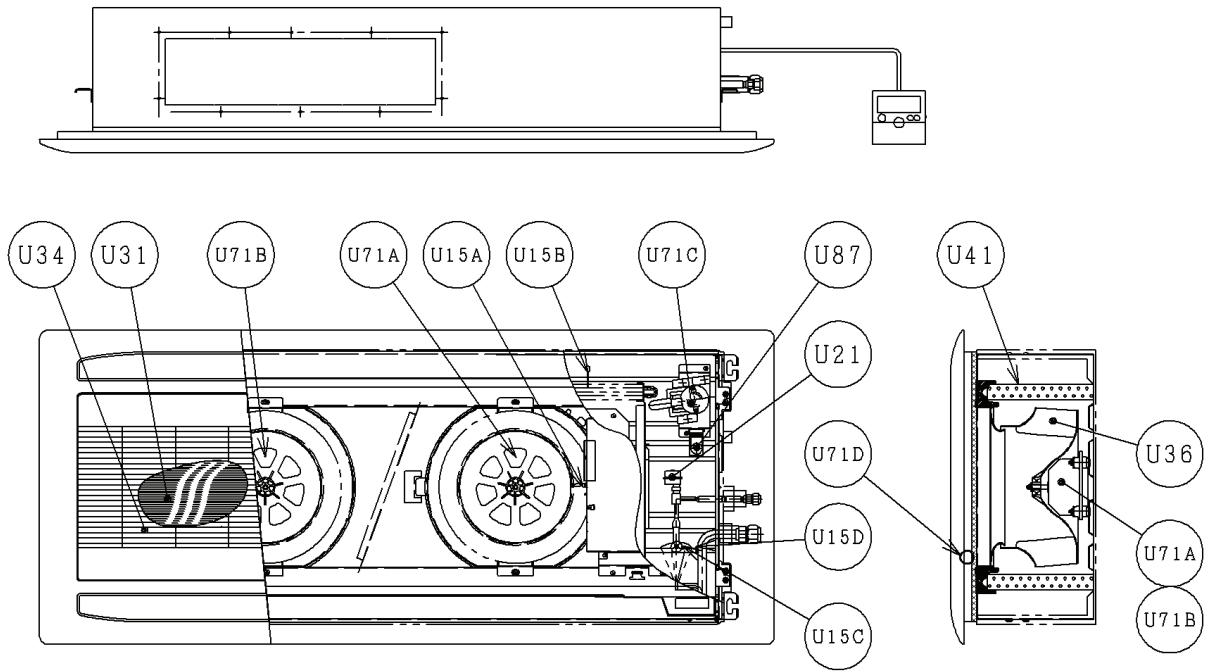
r MODEL: RCD-4.0FSN2 + P-N46DNA  
 RCD-4.0FSN2 + P-N46DWA  
 (P0111x-06)

| NO.  | PART NAME             | REPLACEMENT PART |           | Q'TY PER UNIT | SUMMARY                           | UNIT VOLTAGE CATEGORY |  |  |  |  |  |  | CATEGORY CODE | VOLTAGE (V) | FREQUENCY(HZ) | PHASES |  |
|------|-----------------------|------------------|-----------|---------------|-----------------------------------|-----------------------|--|--|--|--|--|--|---------------|-------------|---------------|--------|--|
|      |                       | DRAW. NO.        | ORDER NO. |               |                                   | Z                     |  |  |  |  |  |  |               |             |               |        |  |
| U04  | FUSE                  | 17C90851A        | P27957    | 1             | 5A FOR CONTROL CIRCUIT            | Z                     |  |  |  |  |  |  |               |             |               |        |  |
| U14A | CAPACITOR             | 17C56791F        | P23345    | 1             | 4MF 440VAC                        | Z                     |  |  |  |  |  |  |               |             |               |        |  |
| U14B | CAPACITOR             | 17C56791G        | P23346    | 1             | 5MF 440VAC                        | Z                     |  |  |  |  |  |  |               |             |               |        |  |
| U15A | THERMISTOR            | 17B24544M        | P22447    | 1             | THM1 AIR INLET                    | Z                     |  |  |  |  |  |  |               |             |               |        |  |
| U15B | THERMISTOR            | 17B24544N        | P23317    | 1             | THM2 AIR OUTLET                   | Z                     |  |  |  |  |  |  |               |             |               |        |  |
| U15C | THERMISTOR            | 17C74419G        | P22437    | 1             | THM3 FREEZE PROTECTION            | Z                     |  |  |  |  |  |  |               |             |               |        |  |
| U15D | THERMISTOR            | 17H05298A        | P28301    | 1             | THM5 GAS                          | Z                     |  |  |  |  |  |  |               |             |               |        |  |
| U21  | EXP. VALVE            | 17G57447D        | P24983    | 1             |                                   | Z                     |  |  |  |  |  |  |               |             |               |        |  |
| U31  | AIR FILTER            | 17B25335A        | P23338    | 2             | FOR AIR PANEL                     | Z                     |  |  |  |  |  |  |               |             |               |        |  |
| U34  | AIR GRILLE            | 17B25380M        | P28465    | 1             | FOR P-N46DNA (WITH AIR FILTER)    | Z                     |  |  |  |  |  |  |               |             |               |        |  |
|      |                       | 17B25380G        | -         |               | FOR P-N46DWA (WITH AIR FILTER)    | Z                     |  |  |  |  |  |  |               |             |               |        |  |
| U36  | FAN RUNNER            | 17A10444A        | P23316    | 2             |                                   | Z                     |  |  |  |  |  |  |               |             |               |        |  |
| U41  | HEAT EXCHANGER        | 17B31742A        | P25266    | 1             |                                   | Z                     |  |  |  |  |  |  |               |             |               |        |  |
| U65  | PLASTIC MATERIAL      | 17G37440B        | P23408    | 8             |                                   | Z                     |  |  |  |  |  |  |               |             |               |        |  |
| U71A | MOTOR                 | 17G38973B        | P23288    | 1             | FAN MOTOR 35W ELECTRICAL BOX SIDE | Z                     |  |  |  |  |  |  |               |             |               |        |  |
| U71B | MOTOR                 | 17G38973C        | P23289    | 1             | FAN MOTOR 35W THE OTHER SIDE      | Z                     |  |  |  |  |  |  |               |             |               |        |  |
| U71C | MOTOR                 | 17C61918A        | P22780    | 1             | FOR DRAIN DISCHARGE MECHANISM     | Z                     |  |  |  |  |  |  |               |             |               |        |  |
| U71D | MOTOR                 | 17G87149A        | P27359    | 1             | FOR AIR PANEL SWING MOTOR ASS'Y   | Z                     |  |  |  |  |  |  |               |             |               |        |  |
| U82  | TRANSFORMER           | 17B26061A        | P23449    | 1             |                                   | Z                     |  |  |  |  |  |  |               |             |               |        |  |
| U85A | PRINTED CIRCUIT BOARD | 17G87759E        | P27277    | 1             | MAIN PCB                          | Z                     |  |  |  |  |  |  |               |             |               |        |  |
| U85B | PRINTED CIRCUIT BOARD | 17B34589A        | P26262    | 1             | FOR NOISE PROTECTION              | Z                     |  |  |  |  |  |  |               |             |               |        |  |
| U85C | PRINTED CIRCUIT BOARD | 17G34856C        | P23448    | 1             | PULSE WIDTH MODULATION            | Z                     |  |  |  |  |  |  |               |             |               |        |  |
| U87  | FLOAT SW              | 17G34946A        | P22428    | 1             |                                   | Z                     |  |  |  |  |  |  |               |             |               |        |  |

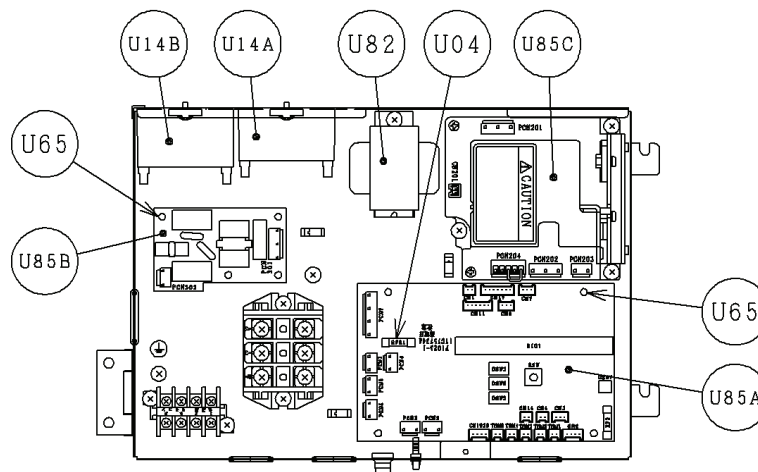
Notes:  
 1. Refer to page D-RCD-4.0FSN2-Z for the location of the listed parts.  
 2. The replacement part drawing number marked "\*" is different from that of the unit part. Change the setting for this unit, if required.

Location of Spare Parts in The Air Panel (Optional)

MODEL: RCD-4.0FSN2  
RCD-5.0FSN2  
and  
P-N46DNA  
P-N46DWA



Location of Electrical Equipment in The Electrical Box



D-RCD-4.0FSN2-Z, D-RCD-5.0FSN2-Z