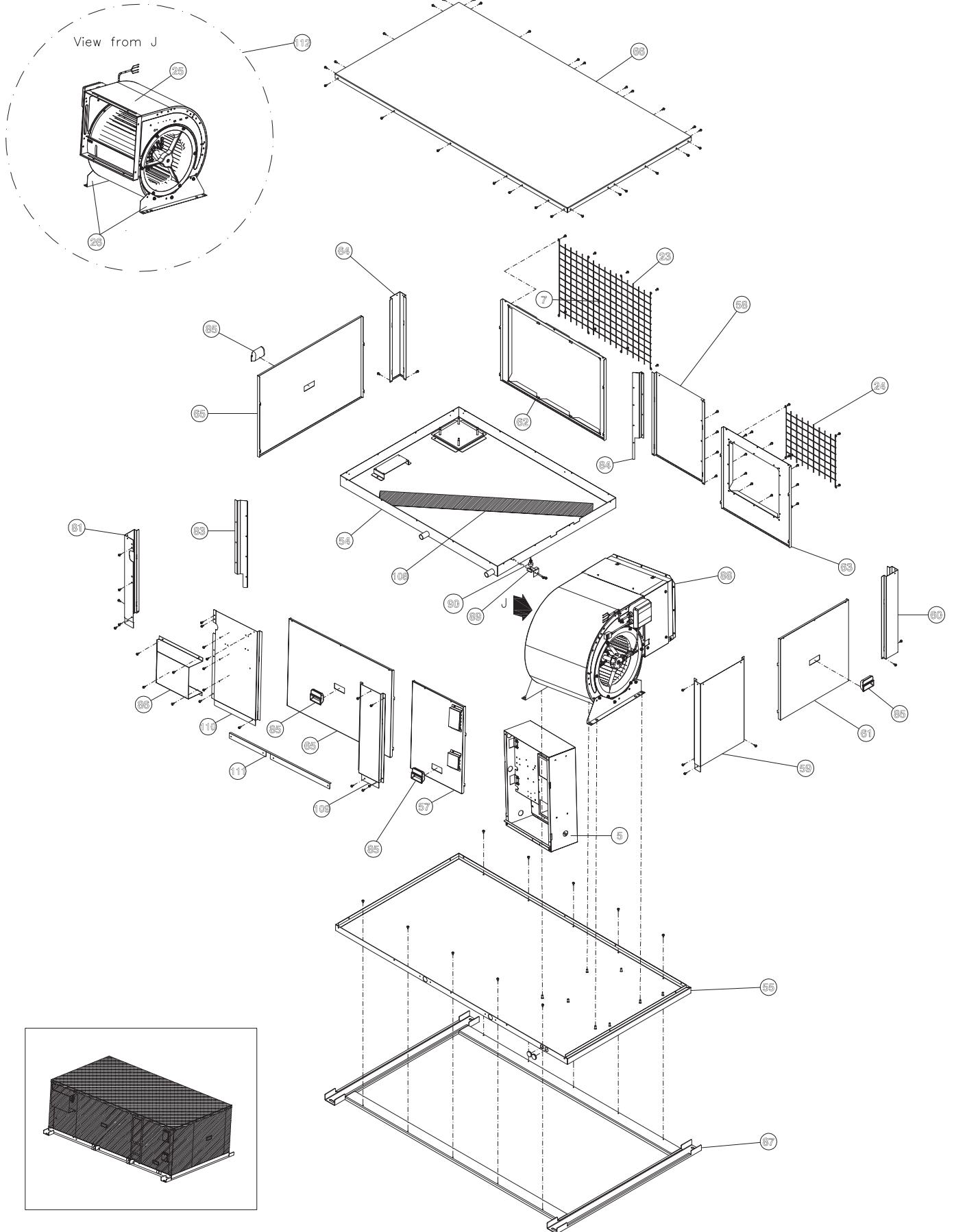


No.	DESCRIPTION	DWG No.	PART No.	Qty	REMARKS		
						MODEL NAME	PRODUCT CODE
						RASC-10HRNM1E, 3N~ 400V 50Hz	7E34211
1	Terminal Board	XEK20967 A	E00705	1			
2	Cord PS	XEK36202 A	E02682	1	PSH (Pressure Switch High)		
3	Harness PS	XEK36201 A	E02683	1	PSC (Pressure Switch Control)		
4	Fuse	XEK32372 B	P24776	2	40A		
5	Electrical Box	XEK01314 A	E03634	1	Assembly (Components+Harness+Steel Plates+Insulations)		
6	Capacitor	17F11611 A	P28496	2	4700µF		
7	Thermistor	XEK34539 G	E02684	1	For discharge gas temperature		
8	Thermistor	XEK34539 F	E02685	1	For outdoor ambient temperature		
9	Thermistor	XEK34539 E	E02686	1	For evaporating temperature		
10	Acoustical Cover	XEK24616 A	E03635	1			
11	Noise Filter	17B36433 A	P26740	1			
12	Transistor Module	17B37211 A	P27215	1	For Inverter		
13	Diode Module	17B40192 A	P27214	1	For Inverter		
14	Expansion valve unit	XEK22698 A	E02024	1			
14-1	Expansion valve coil	17C78180 A	P26009	1			
14-2	Exp. Valve	17C78181 A	P26008	1			
14-3	Strainer	17G56584 B	P26471	2			
14-4	Exp. Valve Cord	XEK23230 A	E02079	1			
15	S Valve 1/1	17C79081 A	P26002	1	Gas Line		
16	S Valve 1/2	XEK22558 A	E01511	1	Liquid Line		
17	Check JA	17C75461 A	E01160	1	Check joint		
18	Distributor Strainer	17D43592 E	P21169	1			
19	Strainer	17G55723 A	P24399	1			
20	Strainer	17G62701 A	P25036	1			
21	V-P-Rubber 2	17D21207 A	P13109	4	Vibration proof rubber 2		
22	V-P-Rubber 1	17D49474 A	P17308	4	Vibration proof rubber 1		
23	Inlet Protector Net	XEK34427 B	E03724	1	Inlet		
24	Outlet Protector Net	XEK34428 B	E03725	1	Oulet		
25	Fan Motor	XEK12163 A	E03636	1	Assembly (Fan Casing + Runner + Fan Motor)		
26	Fan Unit Feet	XEK37676 A	E03637	1			
27	Rubber	17D54658 A	E03638	1	Before Serial Number 4KE12179		
		XEK32468 A	E02060	1	After Serial Number 4KE12179		
28	Capillary Unit	XEK36665 A	E02688	1			
29	Flange Assy	17G87800 A	E02031	1			
30	Capillary	XEK34532 A	E02032	1			
31	Condenser Assembly	XEK12164 A	E02033	1			
32	Check Valve	17C88669 A	P27310	1			
33	Oil Separator	XEK23929 A	E02689	1			
34	Liquid tank	XEK11557 A	E02035	1	Assembly		
35	Compressor	17C92350 A	E02036	1	E656DHD-65D2		
36	Magnetic switch	17B28277 B	P24721	1			
37	Resistor	17B09366 N	P23796	1			
38	Resistor	17B09366 P	P23797	1			
39	Resistor	17B33595 A	P26062	2			

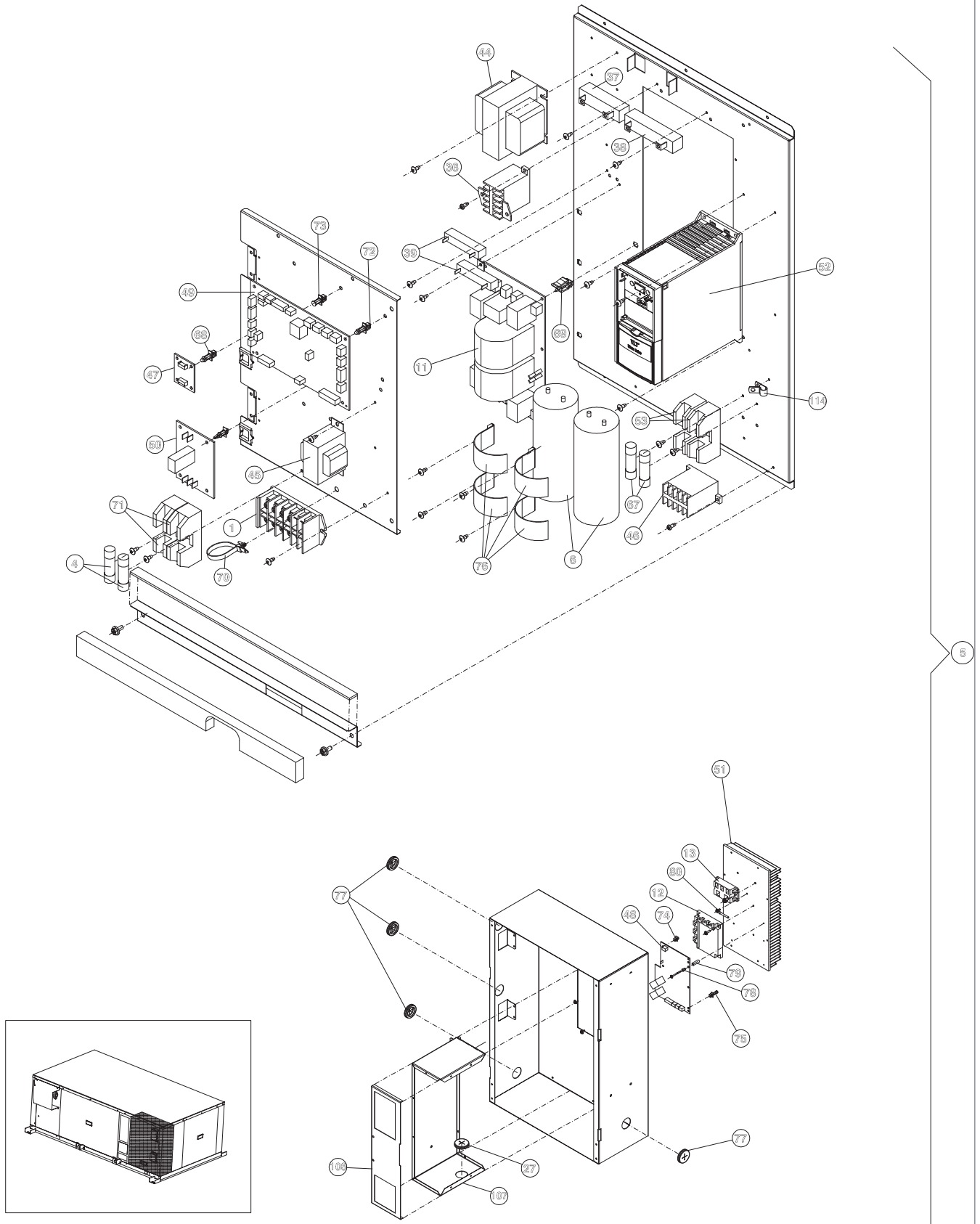
No.	DESCRIPTION	DWG No.	PART No.	Qty	REMARKS	PRODUCT CODE	MODEL NAME
						7E342111	RASC-10HRNMT E, 3N~ 400V 50Hz
40	SVB Assy.	XEK23581 A	E02690	1	Solenoid valve assembly		
40-1	Body 20	17C64849 A	P24511	1	Solenoid valve body - SVB		
40-2	Harness SVA2	XEK34454 A	E02080	1	SVA2 (Solenoid Valve Coil)		
41	SVF Assy.	XEK23582 A	E02691	1	Solenoid valve assembly		
41-1	Body	17C77098 A	P25246	1	Solenoid valve body		
41-2	Harness SVF	XEK35619 A	E02081	1	SVF (Solenoid Valve Coil)		
42	4 Way Valve	17C76060 A	P26468	1	Reversing Valve		
43	Harness RVR	XEK34974 A	E02039	1	RVR (Reversing Valve Coil)		
44	Reactor Unit	XEK36054 C	E03793	1	DCL		
45	Transformer	XEK22107 A	E01294	1	TF		
46	Contacto Motor Fan	17B26115 D	E01873	1			
47	Fan Adapter	XEK24484 A	E03640	1			
48	PV041 Assy	17B34864 B	P27216	1	Printed circuit board 2 - For Inverter		
49	Printed Circuit Board	XEK24469 A	E03336	1	Main (PO052 Assy) (PCB1)		
50	RPP Relay	17C75100 B	P27316	1	Relay phase protection (3N~)		
51	Inverter Fin	17C85114 A	E02042	1	For Inverter		
52	VFD	XEK24581 A	E03780	1	Variable frequency driver		
53	Fuse Holder	17C66740 A	E01015	2			
54	Drain Pan Assembly	XEK11473 A	E02045	1	Assembly		
55	Bottom base assembly	XEK11471 C	E03726	1	Assembly		
56	Pipe D 1	XEK34491 A	E03653	1	Compressor discharge pipe 1		
57	E-Box Cover Assy.	XEK24608 C	E03727	1	Assembly		
58	Front Cover Assy.	XEK22699 B	E03728	1	Assembly		
59	L-Back Corner Assy.	XEK22702 B	E03729	1	Assembly		
60	L-Corner Assy.	XEK22703 B	E03730	1	Assembly		
61	L-Cover Assy.	XEK22704 B	E03731	1	Assembly		
62	Inlet Air Frame Assy.	XEK22705 B	E03732	1	Assembly		
63	Outlet Air Frame Assy.	XEK22707 B	E03733	1	Assembly		
64	R-Corner Assy.	XEK22709 B	E03734	1	Assembly		
65	R-Cover Assy.	XEK22710 B	E03735	2	For Righth & Back Cover		
66	Upper Cover Assy.	XEK22719 C	E03736	1	Assembly		
67	Fuse	XEK32373 B	E00809	2			
68	Spacer	XEK30992 B	P19112	4			
69	Holder	17G07802 A	P20985	6			
70	Clamp	XEK31150 A	E02012	2			
71	Fuse Holder	17C68732 A	P24729	2			
72	Spacer	XEK34315 A	P17225	6			
73	Push Spacer	XEK34316 A	P21189	2			
74	Push Spacer	XEK34316 B	E01617	1			
75	Push Spacer	XEK34316 C	E01616	1			
76	Band	XEK31179 C	E02059	4			
77	Rubber Bush	XEK32468 A	E02060	4			
78	Bush	17G15232 A	P26098	3			
79	Collar	17G15233 B	P20986	3			

No.	DESCRIPTION	DWG No.	PART No.	PRODUCT CODE	REMARKS
				MODEL NAME	
				FASC-10HRNM1E, 3N- 400V 50Hz	
				7E34211	
No.	DESCRIPTION	DWG No.	PART No.	Qty	REMARKS
80	Thermistor	17B33964 B	P26474	1	For Inverter
81	R-Back Cover Assy.	XEK23360 B	E03737	1	Assembly
82	Special Nut	17D49475 A	E02000	4	
83	Condenser Stay 1	XEK34420 A	E02062	1	
84	Condenser Stay 2	XEK34421 A	E02063	1	
85	Handle	XEK37816 A	E03723	4	
86	Stop valve protection cover	XEK22716 B	E03738	1	
87	Foot Assy	XEK35023 A	E02065	1	Assembly
88	Fan Duct Assy	XEK37140 A	E03027	1	Assembly
89	Float switch stay	XEK35650 A	E02681	1	
90	Float Switch	17B24618 A	E01038	1	
91	Crankcase heater	17B34124 C	E01082	1	
92	Pipe SC1 Unit	XEK22689 A	E02067	1	Sub-cooler pipe 1
93	Pipe SC2 Unit	XEK22690 A	E02068	1	Sub-cooler pipe 2
94	G Valve Assy	XEK22700 A	E02069	1	Gas valve assembly
95	L Valve Assy	XEK22701 A	E02070	1	Liquid valve assembly
96	Pipe C Assy.	XEK22692 A	E02072	1	Between 4-Way Valve & Heat Exchanger
97	Pipe S Assy.	XEK22688 A	E02074	1	Between 4-Way Valve & Compressor Suction
98	Pipe E	XEK36317 A	E02695	1	Between 4-Way Valve & Gas Stop Valve
99	L-Pipe 3	XEK34488 A	E02076	1	Between 4-Way Valve & Liquid Stop Valve
100	Rubber Cap	17B29767 A	E01900	1	
101	RC Cover	17C82270 A	E02082	1	Compressor acoustical cover
102	Cover	XEK22592 A	E02078	1	Compressor cap
103	Pipe 3 SVF	XEK36668 A	E02699	1	Solenoid valve pipe
104	Pipe D2	XEK36038 A	E03654	1	Compressor discharge pipe 2
105	Buttom Pipe	XEK36669 A	E02700	1	From Oil Separator
106	VFD Cap Stay Assy.	XEK24590 A	E03643	1	
107	VFD Stay Insulation Assy	XEK37743 A	E03644	1	
108	DP Grille	XEK24139 A	E02972	1	Drain pan grille
109	Back Cover R Assy.	XEK24122 B	E03739	1	
110	Back Cover L Assy.	XEK24123 B	E03740	1	
111	L Stay Assy	XEK24124 A	E02977	1	
112	Fan Motor Unit	XEK12162 A	E03645	1	Assembly (Fan Casing + Runner + Fan Motor + Insulations + Feets)
113	Pipe D3	XEK36039 A	E03045	1	Compressor discharge pipe 3
114	Cable Clamp	XEK37722 A	E03646	1	

# CABINET AND FAN



ELECTRICAL EQUIPMENT



REFRIGERANT CYCLE

