

PRODUCT CODE	MODEL NAME
7E305028	RAS-5HVNCE, 1~ 230V 50Hz
7E305029	RAS-6HVNCE, 1~ 230V 50Hz
7E305127	RAS-4HNCE, 3~ 400V 50Hz
7E305128	RAS-5HNCE, 3~ 400V 50Hz
7E305129	RAS-6HNCE, 3~ 400V 50Hz
7E305033	RAS-4HVRNS3E, 1~ 230V 50Hz
7E305133	RAS-4HRNS3E, 3~ 400V 50Hz

No.	DESCRIPTION	DWG No.	PART No.	Qty	Qty	Qty	Qty	Qty	Qty	Qty	Qty	REMARKS
1	Rear Cover Assy	XEK22976 B	E02826	1	1	1	1	1	1	1	1	Assembly
1-1	Handle	17C71740 A	E01897	3	3	3	3	3	3	3	3	
1-2	H Cover	17B27407 A	E01898	1	1	1	1	1	1	1	1	
1-3	Pipe Cover B	17C86251 A	P27003	1	1	1	1	1	1	1	1	
2	Upper Cover Assy	XEK22860 A	E01794	1	1	1	1	1	1	1	1	Assembly
3	Service Cover S Assy	XEK12170 A	E03377	1								Assembly
3	Service Cover S Assy	XEK12170 B	E03378		1							Assembly
3	Service Cover S Assy	XEK12170 C	E03379			1						Assembly
3	Service Cover S Assy	XEK12170 D	E03380				1					Assembly
3	Service Cover S Assy	XEK12170 E	E03381					1				Assembly
3	Service Cover S Assy	XEK12170 F	E03382						1			Assembly
3	Service Cover S Assy	XEK12170 H	E03694							1		Assembly
3	Service Cover S Assy	XEK12170 J	E03695								1	Assembly
4	S Cover B	17B36514 A	P27002	1	1	1	1	1	1	1	1	Lower Service Cover
5	Protector Net S Assy	XEK24693 A	E01785	1	1	1	1	1	1	1	1	
6	Shroud S Assy	XEK22983 A	E02393	1	1	1	1	1	1	1	1	Assembly
6-1	Shroud S	XEK00948 A	E01795	1	1	1	1	1	1	1	1	Shroud
6-2	Front Protector Net	17A17019 A	E02876	1	1	1	1	1	1	1	1	Air Outlet
7	Clamp S Assy	XEK24429 B	E03383	1	1	1	1	1	1	1	1	
8	Fan Motor	17B40793 C	E03384	1	1	1	1	1	1	1	1	MOF, DC190W, 8P
9	Propeller Fan	17A17362 B	P27001	1	1	1	1	1	1	1	1	Ø544
10	B-Base Assy	XEK24453 A	E03385	1			1			1	1	Assembly
10	B-Base Assy	XEK22864 A	E02096		1	1		1	1			Assembly
11	Compressor	17B41744 C	E03386	1						1		Comp 2YC63FXD
11	Compressor	17F07383 A	E03387		1	1						Comp E401HHD-36A2
11	Compressor	17B43971 C	E03388				1				1	Comp 2YC63RXD
11	Compressor	17F09555 A	E03389					1	1			Comp E401HHD-36D2
12	C Heater	17C75113 L	P26677	2			2			2	2	240V-30W

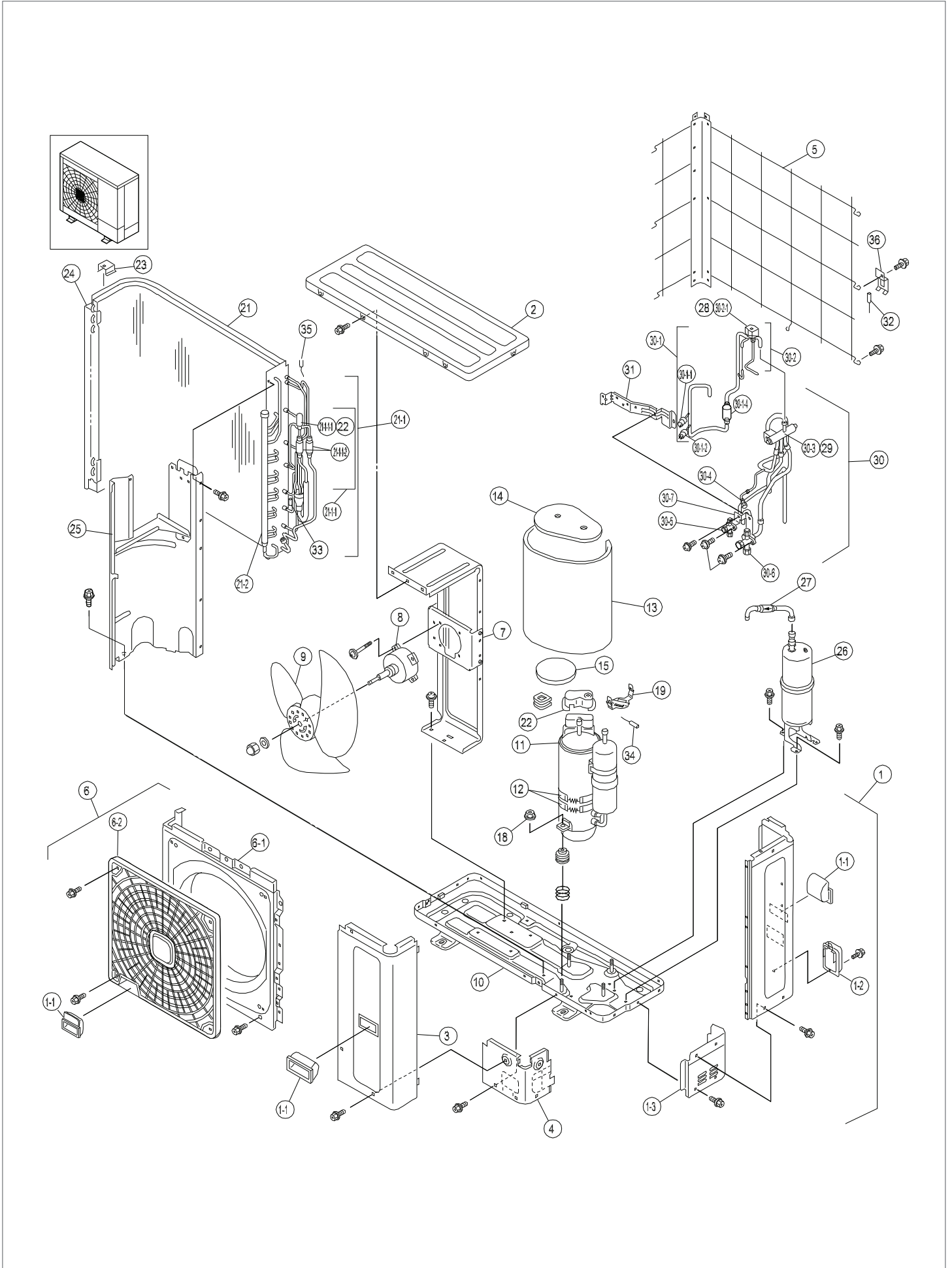
PRODUCT CODE	MODEL NAME										
	RAS-4HVNCE, 1~ 230V 50Hz	RAS-5HVNCE, 1~ 230V 50Hz	RAS-6HVNCE, 1~ 230V 50Hz	RAS-4HNCE, 3~ 400V 50Hz	RAS-5HNCE, 3~ 400V 50Hz	RAS-6HNCE, 3~ 400V 50Hz	RAS-4HVRNS3E, 1~ 230V 50Hz	RAS-4HRNS3E, 3~ 400V 50Hz			

No.	DESCRIPTION	DWG No.	PART No.	Qty	Qty	Qty	Qty	Qty	Qty	Qty	Qty	REMARKS
12	C Heater	17F05573 B	P29160		1	1		1	1			240V-52W
13	Acoustical Cover	17F05925 A	E03390	1			1			1	1	
13	Acoustical Cover	17F05305 A	E02374		1	1		1	1			
14	Acoustical Cover	17F06094 A	E03434	1			1			1	1	Upper Cover
15	Acoustical Cover	17F05831 A	P28612	1			1			1	1	Lower Cover
16	Vibration Absorber	17D49474 A	P17308		4	4		4	4			
17	Vibration Absorber	17D21207 A	P13109		3	3		3	3			
18	Special Nut	17D49475 A	E02000		2	2		2	2			
18	Special Nut	17G64891 A	E02802	1			1			1	1	
19	THM Support D	17G85310 A	E01819	1			1			1	1	
20	Rubber Cap	17B29767 A	P24397		1	1		1	1			
21	Condenser	XEK12132 A	E03392	1			1			1	1	Assembly (Heat exchanger + 21-1+21-2)
21	Condenser	XEK12133 A	E03393		1	1		1	1			Assembly (Heat exchanger + 21-1+21-2)
21-1	Header L Unit	XEK24463 A	E03396	1			1			1	1	Assembly
21-1	Header L Unit	17F05751 A	E03397		1	1		1	1			Assembly
21-1-1	EVO Assy	XEK37472 A	E03422	1			1			1	1	Assembly
21-1-1	EVO Assy	17H09154 A	E03423		1	1		1	1			Assembly
21-1-1-1	Expansion Valve	17F05654 A	P28614	1	1	1	1	1	1	1	1	EVO
21-1-1-2	Strainer	17G62701 B	P25037	2	2	2	2	2	2	2	2	
21-2	Header G Unit	17F06093 A	E03394	1			1			1	1	Assembly
21-2	Header G Unit	17F06852 A	E03395		1	1		1	1			Assembly
22	EXPV Coil	17C78180 D	P28615	1	1	1	1	1	1	1	1	Coil for Expansion Valve
23	Stay	17G57303 A	E02105	1	1	1	1	1	1	1	1	
24	End P Unit	17C87812 A	E02401	1	1	1	1	1	1	1	1	
25	Partition S Assy	XEK22987 A	E02402	1	1	1	1	1	1	1	1	
26	Accumulator Assy	XEK23885 D	E03398	1			1			1	1	Assembly
26	Accumulator Assy	XEK23885 E	E03399		1	1		1	1			Assembly
27	Strainer	17G62701 B	P25037	1	1	1	1	1	1	1	1	

PRODUCT CODE	7E305027
	7E305028
	7E305029
	7E305127
	7E305128
	7E305129
	7E305033
	7E305133

MODEL NAME

No.	DESCRIPTION	DWG No.	PART No.	MODEL NAME								REMARKS	
				Qty	Qty	Qty	Qty	Qty	Qty	Qty	Qty		
28	Coil 20	17C64850 B	P25454	1	1	1	1	1	1	1	1	1	Coil for Solenoid Valve
29	Coil	17C74970 A	P26678	1	1	1	1	1	1	1	1	1	Coil for 4 Way Valve
30	4-Way Valve Assy	XEK12136 A	E03400	1			1			1	1		Assembly
30	4-Way Valve Assy	XEK12137 A	E03401		1	1		1	1				Assembly
30-1	D Pipe Unit	XEK37452 A	E03426	1			1			1	1		
30-1	D Pipe Unit	XEK37453 A	E03427		1	1		1	1				
30-1-1	Pressure SW	XEK22551 A	P26839	1	1	1	1	1	1	1	1	1	PSH (High)
30-1-2	Pressure SW	XEK22552 A	P25042	1	1	1	1	1	1	1	1	1	PSC (Control)
30-1-3	Check Valve	17C84659 A	P10777		1	1		1	1				
30-1-4	Silencer	17H05922 A	P28629	1			1			1	1		
30-2	SVA Assy	17H07289 A	E03402	1			1			1	1		Assembly
30-2	SVA Assy	17H03389 A	P28162		1	1		1	1				Assembly
30-2-1	Solenoid valve	17C77098 A	P25246	1	1	1	1	1	1	1	1	1	SVA
30-3	4 Way Valve	17C73724 A	P24658	1	1	1	1	1	1	1	1	1	RVR
30-4	Check JA	17C75461 B	E02840	1	1	1	1	1	1	1	1	1	
30-5	Stop Valve	17F06326 A	P28918	1	1	1	1	1	1	1	1	1	For liquid line 3/8
30-6	Stop Valve	17F06328 B	P28919	1	1	1	1	1	1	1	1	1	For gas line 5/8
30-7	Valve Stay	17G82214 A	E02111	1	1	1	1	1	1	1	1	1	
31	V-Stay	17H03600 A	E03403	1	1	1	1	1	1	1	1	1	
32	Thermistor	17C59663 E	E00692	1	1	1	1	1	1	1	1	1	For Outdoor Temp., THM7
33	Thermistor	17C59664 D	P23504	1	1	1	1	1	1	1	1	1	For Pipe Temp., THM8
34	Thermistor	17B24597 K	P23508	1			1			1	1		For Discharge Gas Temp., THM9
34	Thermistor	17B24597 J	P23506		1	1		1	1				For Discharge Gas Temp., THM9
35	Thermistor	17F05184 A	E03404	1	1	1	1	1	1	1	1	1	For Condenser Temp., THM10
36	TH-Plate	XEK21470 A	E01901	1	1	1	1	1	1	1	1	1	
37	Stay	17G84282 A	E02106		1	1		1	1				



No.	DESCRIPTION	DWG No.	PART No.	MODEL NAME				REMARKS
				Qty	Qty	Qty	Qty	
				PRODUCT CODE				
				RAS-4HVNCE, 1~ 230V 50Hz	7E305027			
				RAS-5HVNCE, 1~ 230V 50Hz	7E305028			
				RAS-6HVNCE, 1~ 230V 50Hz	7E305029			
				RAS-4HVRNS3E, 1~ 230V 50Hz	7E305033			
1	Electrical Box	XEK01264 A	E03428	1				Assembly (2+3+Harness)
1	Electrical Box	XEK01264 B	E03429		1			Assembly (2+3+Harness)
1	Electrical Box	XEK01264 C	E03430			1		Assembly (2+3+Harness)
1	Electrical Box	XEK01264 D	E03696				1	Assembly (2+3+Harness)
2	P Plate Unit	XEK12140 A	E03405	1			1	Assembly (2-1~2-11)
2	P Plate Unit	XEK12140 B	E03406		1	1		Assembly (2-1~2-11)
2	P Plate Unit	XEK12140 C	E03698				1	Assembly (2-1~2-11)
2-1	P Plate Assy	XEK37455 A	E03407	1	1	1	1	Assembly
2-2	Printed Circuit Board	17B43667 D	E03408	1	1	1		PCB1, PO101D Assy
2-2	Printed Circuit Board	17B43667 F	E03700				1	PCB1, PO101F Assy
2-3	Spacer	XEK30992 B	P19112	6	6	6	6	For PCB1
2-4	Push Spacer	XEK31888 A	E00738	2	2	2	2	For PCB1
2-5	Terminal Board	17C74177 A	E01818	1	1	1	1	TB
2-6	Noise Filter	17B42008 A	P28596	1	1	1	1	NF
2-7	Spacer	XEK34315 A	E01789	6	6	6	6	for Noise Filter
2-8	Fuse Holder	17C68732 A	P24729	1	1	1	1	
2-9	Fuse	XEK32372 C	P24728		1	1		40A
2-9	Fuse	XEK32372 B	P24776	1			1	50A
2-10	Reactor Unit	17G93177 C	E03409	1	1	1	1	
2-11	MG SW	17B28277 B	P24721	1	1	1	1	CMC1
3	Power Unit Assy	XEK24440 A	E03369	1	1	1	1	Assembly (3-1~3-2)
3-1	Power Stay Assy	XEK36265 A	E02424	1	1	1	1	
3-2	Inv. Fin Assy	17F07378 C	E03371	1	1	1	1	
4	Upper Support	17G84652 A	E02426	1	1	1	1	

