

PRODUCT CODE

MODEL NAME

7E304005

RAS-3HVNPE, 1~ 230V 50Hz

No.	DESCRIPTION	DWG No.	PART No.	Qty	REMARKS
1	Rear Cover Assy	XEK22976 B	E02826	1	Assembly
1-1	Handle	17C71740 A	E01897	3	
1-2	H Cover	17B27407 A	E01898	1	
1-3	Pipe Cover B	17C86251 A	P27003	1	
2	Upper Cover Assy	XEK22860 A	E01794	1	Assembly
3	Service Cover S Assy	XEK12170 G	E03337	1	Assembly
4	S Cover B	17B36514 A	P27002	1	Lower Service Cover
5	Protector Net S Assy	XEK24693 A	E01785	1	
6	Shroud S Assy	XEK22983 A	E02393	1	Assembly
6-1	Shroud S	XEK00948 A	E01795	1	Shroud
6-2	Front Protector Net	17A17019 A	E02876	1	Air Outlet
7	Clamp S Assy	XEK24429 A	E03338	1	Assembly
8	Fan Motor	17B41808 A	P28608	1	MOF, DC100W,8P
9	Propeller Fan	17A17362 B	P27001	1	Ø544
10	B-Base Assy	XEK23004 A	E02460	1	Assembly
11	Compressor	17B42994 C	P29028	1	DC Comp. 2YC45KXD
12	THM Support D	17G85310 A	E01819	1	
13	C Heater	17C75113 P	E01826	2	240V-30W
14	Special Nut	17G64891 A	E02802	1	
15	Acoustical Cover	17F05829 B	P28610	1	
16	Acoustical Cover 1	17F05830 A	P28915	1	Upper Cover
17	Condenser	XEK12131 A	E03339	1	Assembly (Heat exchanger + 17-1+17-2)
17-1	Header L Unit	XEK24464 A	E03341	1	Assembly
17-1-1	EVO Assy	XEK37473 A	E03413	1	Assembly
17-1-1-1	Expansion Valve	17F05654 A	P28614	1	EVO
17-1-1-2	Strainer	17G62701 B	P25037	2	
17-2	Header G Unit	17F05094 A	E03340	1	Assembly
18	EXPV Coil	17C78180 D	P28615	1	Coil for Expansion Valve
19	Stay	17G57303 A	E02105	1	

PRODUCT  
CODE

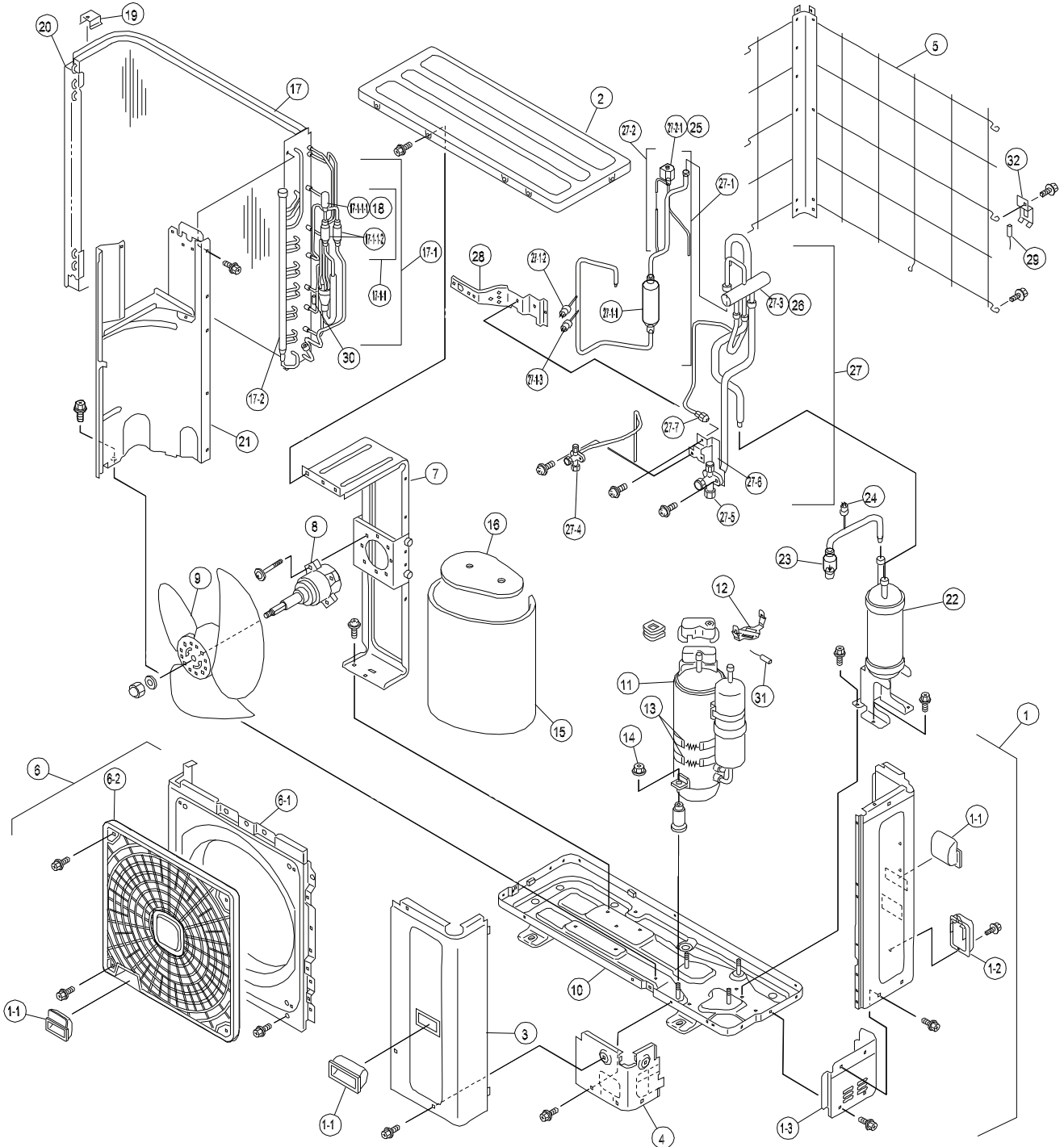
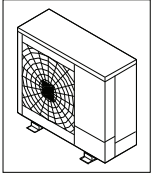
7E304005

MODEL NAME

RAS-3HVNPE, 1~ 230V 50Hz

No.	DESCRIPTION	DWG No.	PART No.	Qty	REMARKS
20	End P Unit	17C87812 A	E02401	1	
21	Partition S Assy	XEK22987 A	E02402	1	
22	Accumulator	XEK22979 A	E01800	1	
23	Strainer	17H07319 B	P28618	1	
24	Pressure SW	XEK24355 A	E03342	1	For Low Pressure
25	Coil 20	17C64850 B	P25454	1	Coil for Solenoid Valve
26	Coil	17F07262 A	P28921	1	Coil for 4-Way Valve
27	4-Way Valve Assy	XEK12134 A	E03343	1	Assembly
27-1	D Pipe Unit	XEK37450 A	E03424	1	Assembly
27-1-1	Silencer	17H05922 B	P28630	1	
27-1-2	Pressure SW	XEK22551 A	P26839	1	PSH (High)
27-1-3	P-Sensor	17B42440 A	P28917	1	PSC (Control)
27-2	SVC Assy	17H07318 A	E03344	1	
27-2-1	Solenoid Valve	17C77098 A	P25246	1	SVA
27-3	4 Way Valve	17C73723 A	P24657	1	RVR
27-4	Stop Valve	17F06326 A	P28918	1	For liquid line 3/8
27-5	Stop Valve	17F06328 B	P28919	1	For gas line 5/8
27-6	Valve Stay	17G82214 A	E02111	1	
27-7	Check JA	17C75461 B	E02840	1	
28	V-Stay	17G40832 B	E03345	1	
29	Thermistor	17C59663 E	E00692	1	For Outdoor Temp., THM7
30	Thermistor	17C59664 D	P23504	1	For Pipe Temp., THM8
31	Thermistor	17B24597 K	P23508	1	For Discharge Gas Temp., THM9
32	TH-Plate	XEK21470 A	E01901	1	

CABINET AND CYCLE



MODEL NAME	RAS-3HVNPE; 1 ~ 230V 50HZ	7E304005
	RAS-4HVNPE; 1 ~ 230V 50HZ	7E304007
	RAS-5HVNPE; 1 ~ 230V 50HZ	7E304008
	RAS-6HVNPE; 1 ~ 230V 50HZ	7E304009

No.	DESCRIPTION	DWG No.	PART No.	Qty	Qty	Qty	Qty	REMARKS
1	Electrical Box	XEK01261 A	E03415	1				Assembly (2+3+Harness)
1	Electrical Box	XEK01262 A	E03416		1			Assembly (2+3+Harness)
1	Electrical Box	XEK01262 B	E03417			1		Assembly (2+3+Harness)
1	Electrical Box	XEK01262 C	E03418				1	Assembly (2+3+Harness)
2	P Plate Unit	XEK12138 A	E03364	1				Assembly (2-1~2-11)
2	P Plate Unit	XEK12138 B	E03365		1	1	1	Assembly (2-1~2-11)
2-1	P Plate Assy	XEK37454 A	E03366	1	1	1	1	Assembly
2-2	Printed Circuit Board	17B43667 A	E03367	1	1	1	1	PCB1, PO101A Assy
2-3	Spacer	XEK30992 B	P19112	6	6	6	6	For PCB1
2-4	Push Spacer	XEK31888 A	E00738	2	2	2	2	For PCB1
2-5	Terminal Board	17C74177 A	E01818	1	1	1	1	TB
2-6	Noise Filter	17B42008 A	P28596	1	1	1	1	NF
2-7	Spacer	XEK34315 A	E01789	6	6	6	6	For Noise Filter
2-8	Fuse Holder	17C68732 A	P24729	1	1	1	1	
2-9	Fuse	XEK32372 B	P24776	1				40A
2-9	Fuse	XEK32372 C	P24728		1	1	1	50A
2-10	Reactor Unit	17G93177 A	E02419	1				
2-10	Reactor Unit	17G93177 B	E02468		1	1	1	
2-11	MG SW	17B28277 B	P24721	1	1	1	1	CMC1
3	Power Unit Assy	XEK24439 A	E03368	1				Assembly (3-1~3-2)
3	Power Unit Assy	XEK24440 A	E03369		1	1	1	Assembly (3-1~3-2)
3-1	Power Stay Assy	XEK36265 A	E02424	1	1	1	1	Assembly
3-2	Inv. Fin Assy	17C87472 J	E03370	1				
3-2	Inv. Fin Assy	17F07378 C	E03371		1	1	1	
4	Upper Support	17G84652 A	E02426	1	1	1	1	

ELECTRICAL PARTS

