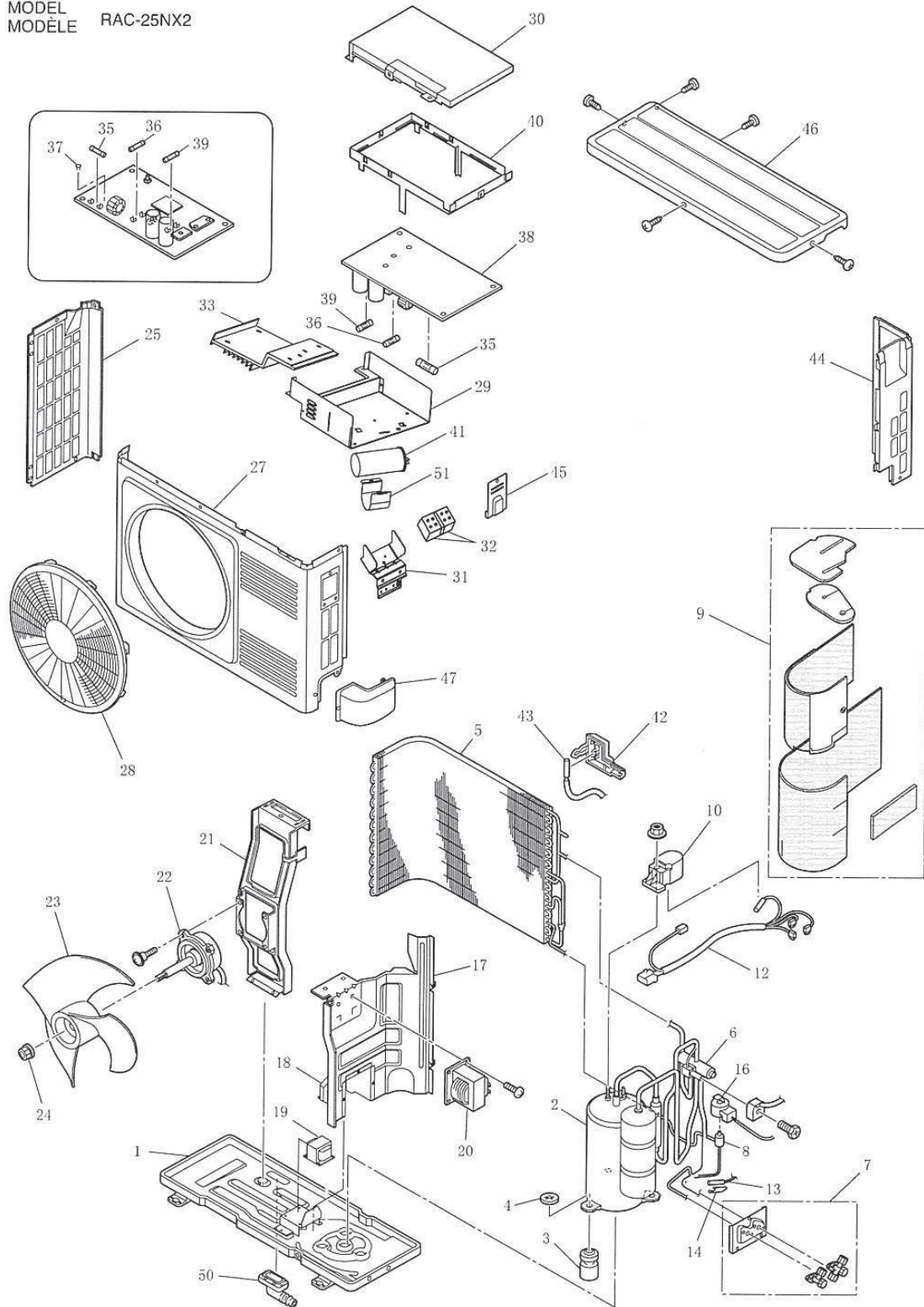


MODEL  
MODÈLE RAC-25NX2



MODEL RAC-25NX2  
 MODÈLE RAC-25NX2

NO	PARTS No.	PARTS No.	Q'TY	PARTS NAME
	RAC-25NX2	RAC-25NX2		
1	HWRAC-E10H2 A01	2ZVH100565B	1	BASE
2	HWRAC-E10H2 A02	EB0002527A	1	COMPRESSOR
3	HWRAC-25YH4 A03	3TMW100288A	3	COMPRESSOR RUBBER
4	HWRAC-25YH4 A04	3SPF100108B	3	PUSH NUT
5	HWRAC-25NX2 A01	EE0003488A	1	CONDENSER ASSEMBLY
6	HWRAC-25NX2 A02	EE0003560A	1	REVERSING VALVE
7	HWRAC-E10H2 A05	1ZSA100443B-R	1	SERVICE VALVE ASS'Y
8	HWRAC-E10H2 A06	2PDT100760A	1	ELECTRIC EXPANSION VALVE
9	HWRAC-E10H2 A07	EB0002620A	1	SOUND PROOF COVER ASS'Y
10	HWRAC-E10H2 A08	1TRR100321A	1	O.L.R COVER
12	HWRAC-E10H2 A09	2RVT100677A-R	1	CONNECTING CORD(COMP)
13	HWRAC-D10EX A08	RREL4782	1	THERMISTOR(DEFROST)
14	HWRAC-25YH4 A14	3WAE100229A	1	THERMISTOR SUPPORT(DEFROST)
16	HWRAC-E08H A09	RRZA2397	1	COIL(ELECTRIC EXPANSION VALVE)
17	HWRAC-E10H2 A10	EB0002621A	1	PARTITION
18	HWRAC-E10H2 A11	2WBG100714A-R	1	REACTOR COVER
19	HWRAC-E10H2 A12	RRMH3932	1	REACTOR1
20	HWRAC-E10H2 A13	RRMH3933	1	REACTOR2
21	HWRAC-E10H2 A14	0WAK100433A-R	1	SUPPORT(FAN MOTOR)
22	HWRAC-E10H2 A15	RRMB3897	1	FAN MOTOR
23	HWRAC-25YH4 A23	EB0002529A	1	PROPELLER FAN
24	HWRAC-25YH4 A24	2SMG100250A	1	NUT FOR PROPELLER FAN
25	HWRAC-E10H2 A16	2ZVH100571A	1	SIDE COVER(L)
27	HWRAC-E10H2 A17	EB0002622A	1	FRONT COVER
28	HWRAC-E10H2 A18	0WLG100362A	1	DISCHARGE GRILL
29	HWRAC-E10H2 A19	EB0002623A	1	ELECTRIC PARTS PLATE
30	HWRAC-E10H2 A20	EB0003913A	1	ELECTRIC PARTS COVER
31	HWRAC-E10H2 A21	2WBD100715A	1	TERMINAL PLATE
32	HWRAC-25YH4 A32	RRPA2542-R	2	TERMINAL BOARD (2P)
33	HWRAC-E10H2 A22	3RZN100278A	1	HEAT SINK(REGURATOR 1)
35	HWRAC-E08H A11	RRPN1499	1	FUSE (15A)
36	HWRAC-D10EX2 A09	RRPN2772	1	FUSE (3A)
37	HWRAC-25YH4 A37	RREL4757	1	VARISTOR
38	HWRAC-25NX2 A03	EE0003723A	1	P.W.B.(MAIN)
39	HWRAC-D10EX2 A11	RRPN2771	1	FUSE (1A)
40	HWRAC-E10H2 A24	0WBE100422B	1	SUPPORT (P.W.B.)
41	HWRAC-25YH4 A41	RRCH2784	1	CAPACITOR 45µF 200V
42	HWRAC-25YH4 A42	1WLG100074A	1	COVER(OUT DOOR THERMISTOR)
43	HWRAC-D10EX A17	RREL4783	1	THERMISTOR(OUT DOOR TEMP.)
44	HWRAC-E10H2 A25	2ZVH100570D	1	SIDE COVER
45	HWRAC-E10H2 A26	EB0002318A	1	TERMINAL COVER
46	HWRAC-E10H2 A27	EB0002625A	1	TOP COVER
47	HWRAC-E10H2 A28	1WLG100388B	1	SERVICE VALVE COVER
50	HWRAC-25YH4 A50	1PKF100132A	1	DRAIN PIPE
51	HWRAC-E10H2 A29	2WBD100787A-R	1	COVER(CAPACITOR)