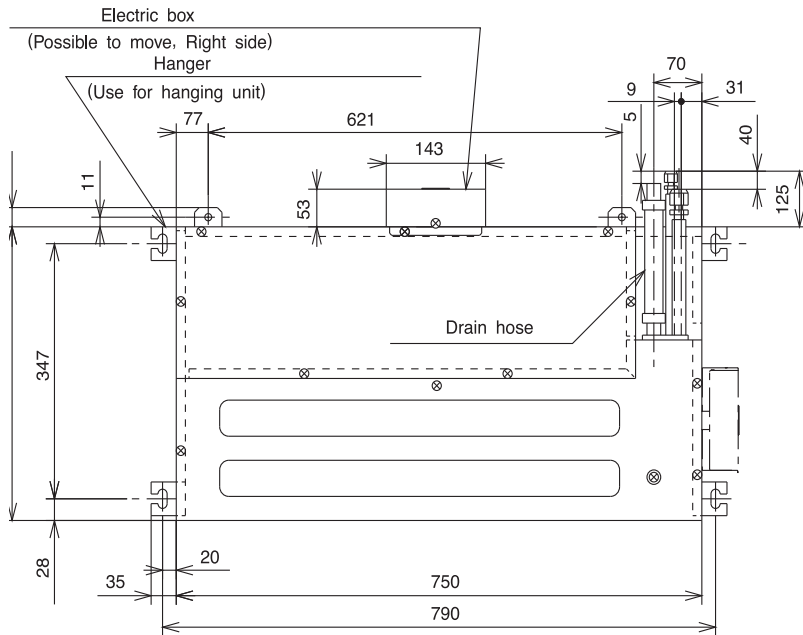


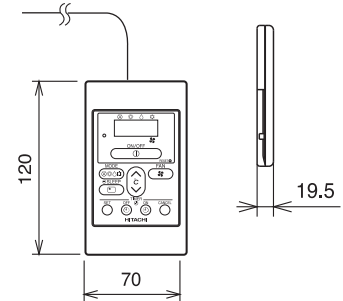
Abmessungen RAD -18QPE, RAD-(25/35)RPE



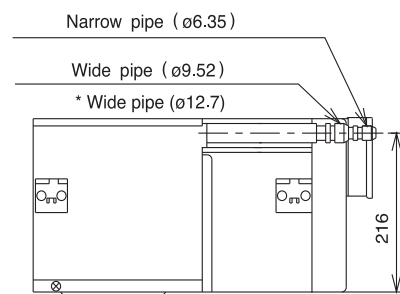
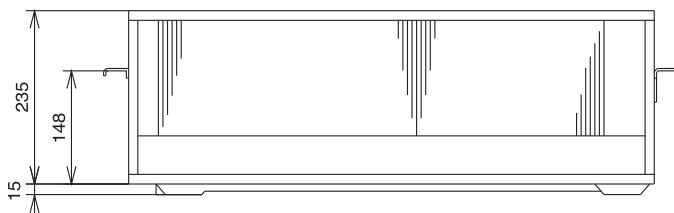
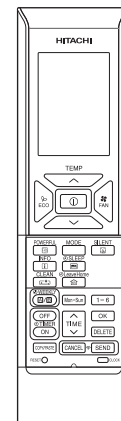
Unit: mm

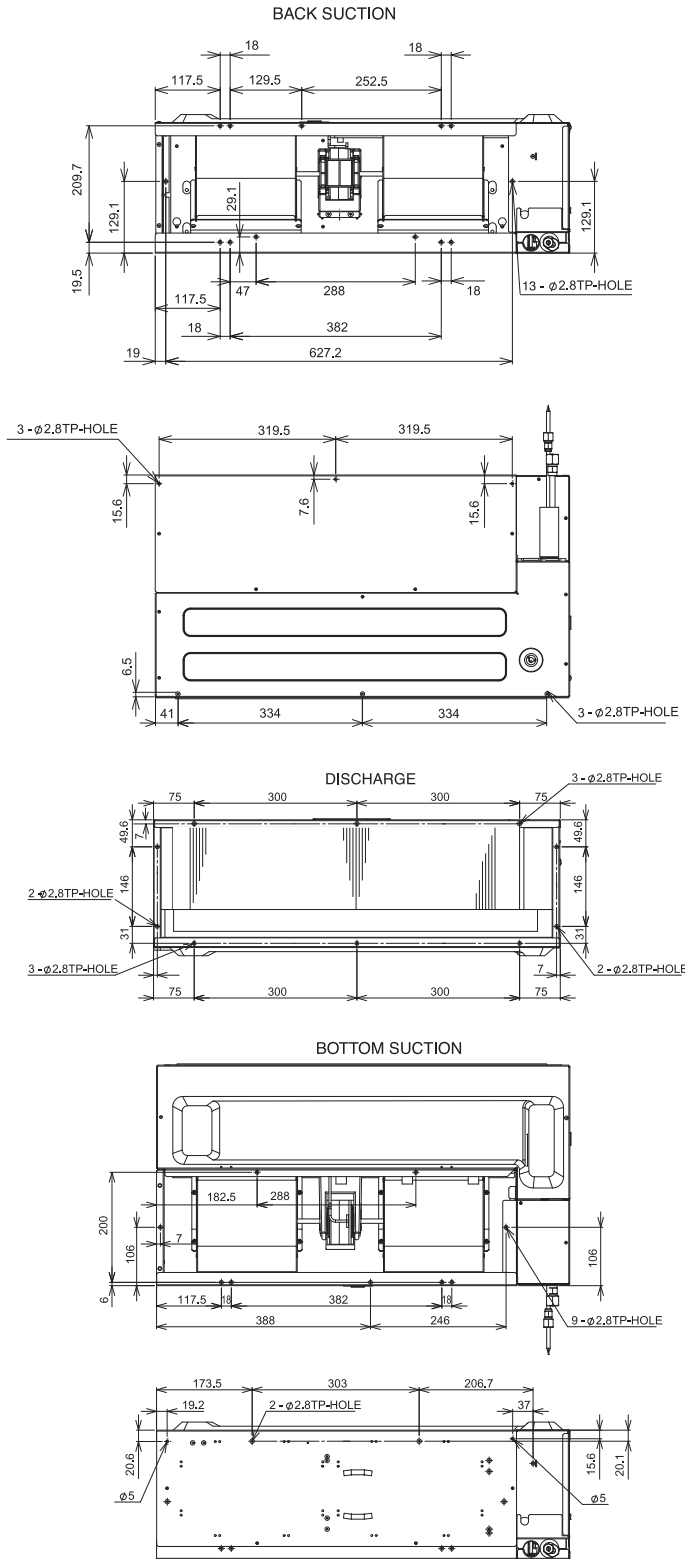


OPTIONAL
Wired Remote Controller
(SPX-RCDA)



OPTIONAL
Wireless Remote Controller
(SPX-RCKA 1)





Cautions:

1. Use insulated pipes for both large and small diameters.